

A6

90T-1850T

NEXT-GEN A6 SERIES ADVANCED AND INTELLIGENT INJECTION MOLDING MACHINE

Intelligence Forward



Yizumi Precision Molding Technology Co., Ltd.

Address: No.12 Shunchang Road, Shunde, Foshan, Guangdong 528300, China
TEL: 86-757-2921 9764 86-757-2921 9001(overseas) Email: imm@yizumi.com
www.yizumi.com

[DISCLAIMER]

- [1] YIZUMI reserves the right to modify the product description in the catalogue. Specification might be changed without prior notice.
 - [2] The picture in the catalogue is for reference only. The real object should be considered as final.
 - [3] The data in the catalogue is obtained from internal testing in YIZUMI laboratory.
- Please refer to the actual machine for the final data. YIZUMI reserves the right of final interpretation upon disputes and ambiguities.



THINK TECH FORWARD

Next-Gen A6 Series Advanced and Intelligent Injection Molding Machine

With the global trend towards intelligent and high-end manufacturing, YIZUMI is driving the industry forward with its solid technical expertise. Combining years of experience and innovation, YIZUMI A6 series is launched, the sixth-generation advanced and intelligent injection molding machine.

Relying on YIZUMI's unique "IPD 2.0" product development process, YIZUMI project team upholds the market-oriented and technology-driven principle, conducting rigorous analysis, efficient and high-quality development, and collaborative efforts. This approach has significantly enhanced A6 series injection molding machines' capabilities in precision molding, green energy efficiency, and high-efficiency production, while also making significant strides in the intelligentization of injection molding technology.

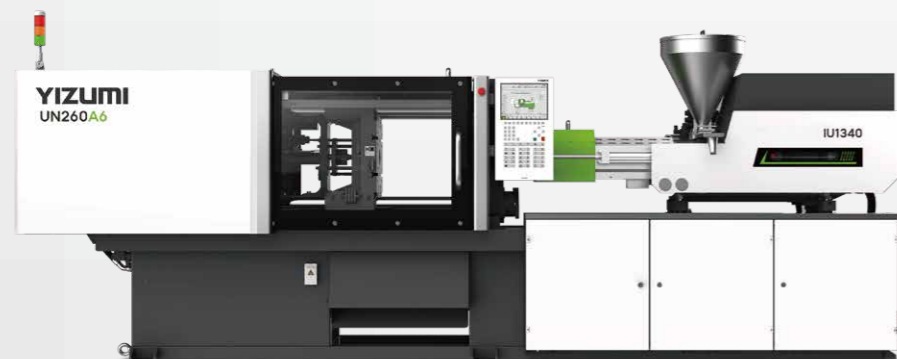
A6 series, with its unique advantages of intelligence, precision, sustainability, and efficiency, provides you with superior injection molding solutions, and we are committed to partnering with you towards a broader future of intelligent manufacturing.

YIZUMI — Think Tech Forward, Creating Excellence Together

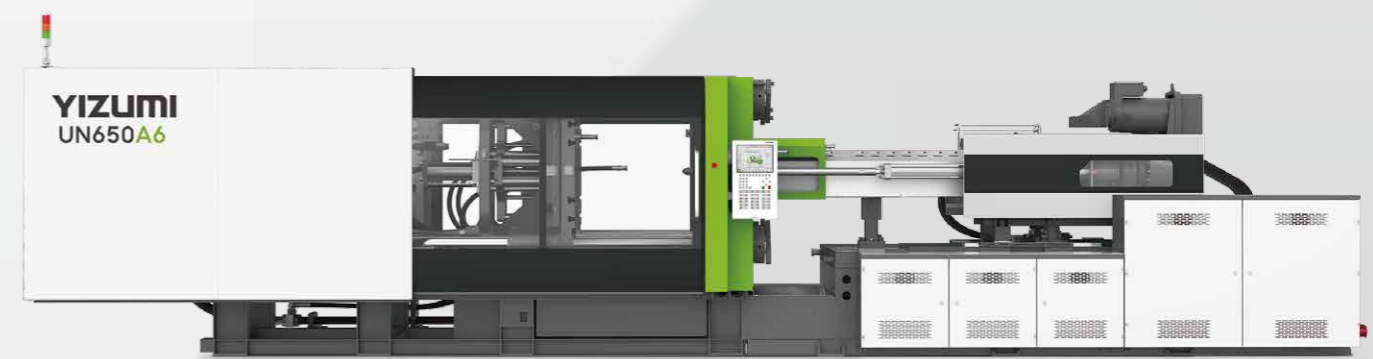
A6 Series

Intelligence Forward

■ UN90A6-UN580A6



■ UN650A6-UN1850A6



Core Value Propositions

 Intelligence

 Precision

 Green

 Efficiency

- ▶ Product weight repeatability 2‰
- ▶ Mold-opening positioning accuracy <1mm
- ▶ Mold-opening end position repeatability $\pm 0.5\text{mm}$

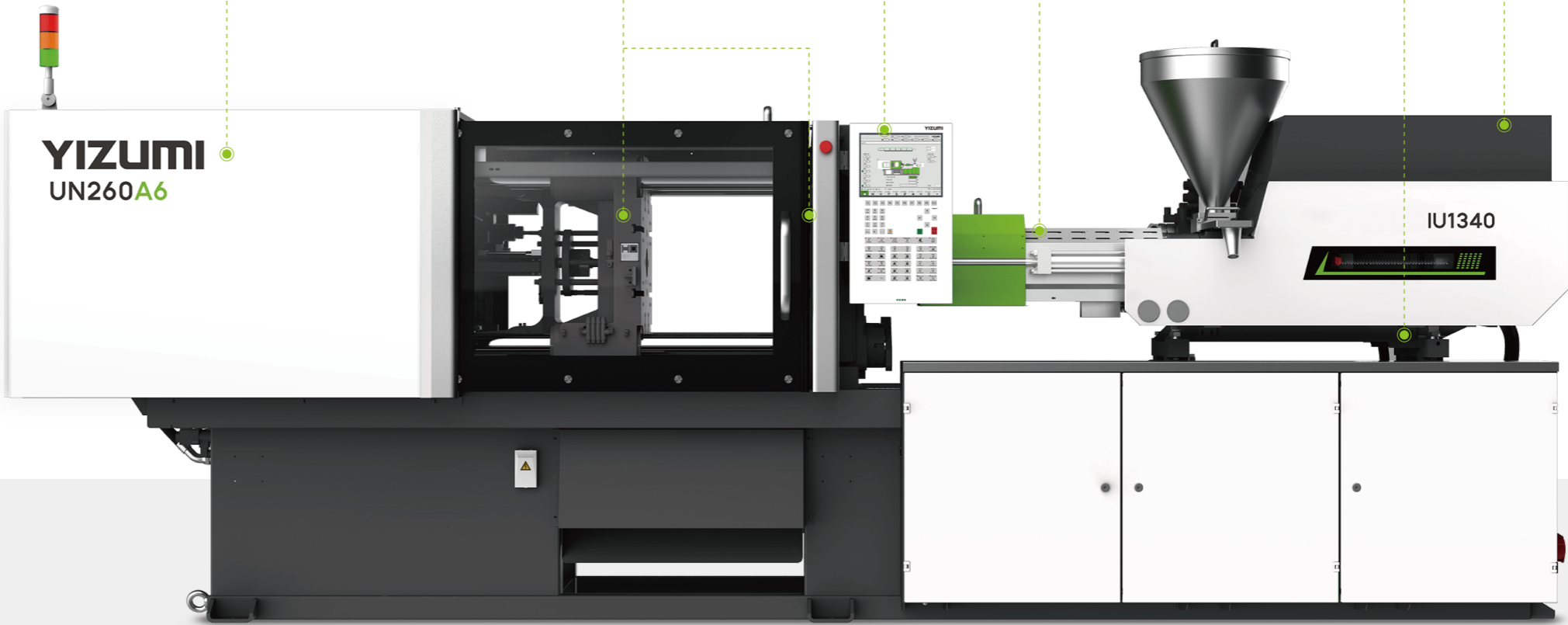
▶ Dual pressure-center platens

- ▶ KEBA controller standard for all models
- ▶ Intelligent control system

- ▶ High-mixing dual-alloy plasticizing components standard for all models
- ▶ Fully enclosed aerogel insulation device

- ▶ Integral dual-layer support for injection unit
- ▶ Dual linear guides for carriage and injection

- ▶ "Dual drive" system
- ▶ Parallel electric plasticizing standard for all models



A6

* The data above were acquired by testing in YIZUMI, only for your reference. YIZUMI reserves the right of final interpretation upon disputes and ambiguities.

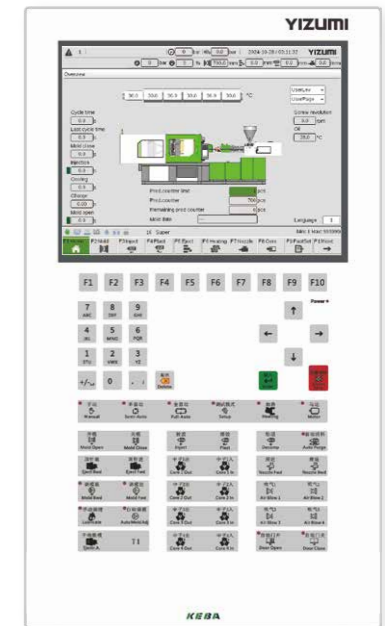


Intelligence

Standard feature of KEBA controller for all models

- ▶ Standard feature of KEBA's new control system: 12" TFT true color LCD display for 90T-1000T models, 15" TFT true color LCD display for 1200T-1850T models.
- ▶ Storage for 700 sets of mold parameters.
- ▶ MES interface.
- ▶ Supports common communication interfaces: RS-485, USB, CANOPEN, EtherCAT, OPC UA (optional) and Euromap77 (optional).
- ▶ Multi-curve display function, allowing for the direct display of curves for actions such as mold opening and closing, plasticizing, temperature, and injection monitoring.

It reflects YIZUMI's unique design philosophy and ergonomic button layout, providing infinite possibilities for digital and intelligent advancements.

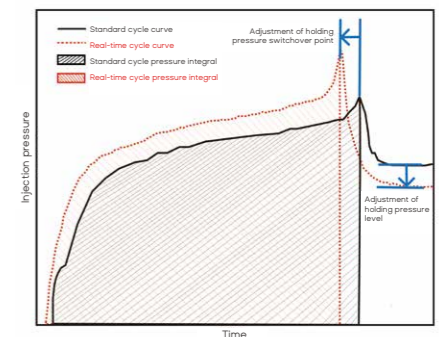


Intelligent weight V/P control

Intelligent weight V/P control function, YIZUMI's core R&D achievement for all models, achieves product weight repeatability of 2%.

In the production process, the controller monitors the pressure variations of plasticizing and uses algorithms to automatically adjust the holding pressure switchover point or the holding pressure, ensuring precise repeatability of product weight.

- Holding pressure switchover control of consistent shot weight: For molds with short holding time, holding pressure switchover control with consistent shot weight performs better.
- Holding pressure control of consistent compression of melting material: For molds with longer holding time, holding pressure control of consistent compression of melting material provides superior performance.



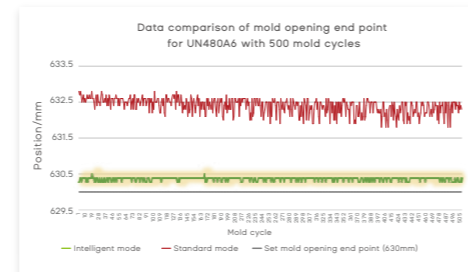
* The data above were acquired by testing in YIZUMI, only for your reference. YIZUMI reserves the right of final interpretation upon disputes and ambiguities.

Intelligence

Intelligent mold opening

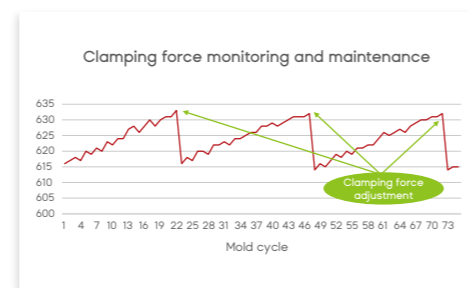
Intelligent mold-opening function is a standard feature, which can be activated and adjusted based on production requirements.

- ▶ Mold-opening parameter setting is simplified, requiring only two settings: the start and end points.
- ▶ Automatic generation and optimization of parameters for mold-opening process, smoother operation.
- ▶ Precise mold-opening positioning, achieving accuracy of 0-1mm.

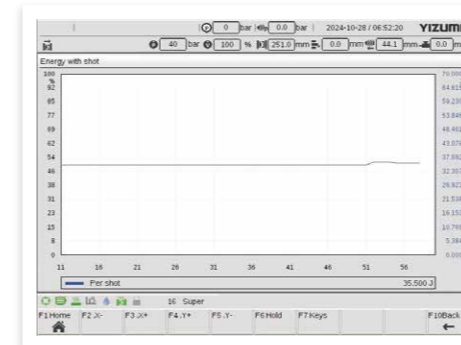


Intelligent clamping force management system

- ▶ A6 series is equipped with **intelligent clamping force management system**, YIZUMI's advanced intelligent R&D innovation.
- ▶ **Intelligent clamping force management system** proactively identifies and sets optimal clamping force, monitors and intelligently optimizes clamping force parameters, enabling users to efficiently and conveniently operate the injection molding machine while improving the stability of product quality.
- ▶ Standard functions of intelligent clamping force management system:
 - ① Clamping force monitoring
 - ② Intelligent clamping force maintenance
 - ③ Pre-releasing of clamping force



*The curve illustrates the "Intelligent Clamping Force Maintenance" feature, showcasing its automatic adjustments in response to the gradual rise in clamping force due to mold expansion from temperature increases during continuous production.



Preventive monitoring and maintenance system for key components

A6 series is equipped with preventive monitoring and maintenance function for key components, which provides timely reminders for machine maintenance and predicts potential issues, thus extending the machine's service life.

It offers intelligent real-time monitoring and detection for key components and indicators such as screw drive shaft bearings temperature, injection end position, clamping force, and the hydraulic system. With advanced algorithms, it identifies and alerts for potential risks, while also providing troubleshooting guidance.

Intelligent energy management system

A6 series is equipped with intelligent energy management system, enabling energy consumption data to be digitized and visualized.

- 24-hour energy consumption and production statistics
- Energy consumption data of the mold is visually represented in real-time curves, serving as a reference for energy-saving and parameter optimization.
- Users can input the electricity unit price for online measurement and display of energy cost for each product.
- It shows real-time energy consumption changes, allowing a clear understanding of the relationship between each motion and energy use, which facilitates the optimization of process parameters.

③ Pre-releasing of clamping force (standard feature)

Once injection is finished, the full clamping force is pre-released to prevent an increase in mold opening pressure or difficulties. This helps to shorten production cycle, lower energy consumption during mold opening, and reduce wear on the mold and machine, ultimately extending their service life.

Based on customers' actual product needs, more optional features of intelligent clamping force management system are available:

Intelligent clamping force maintenance Pro: Compared to the standard version, this offers more precise monitoring and better mold adjustment.

Intelligent clamping force optimization: Real-time monitor on clamping force changes during injection, intelligently analysis on product's actual molding requirements, and adjustment to optimal clamping force.

Clamping force balance monitoring: Real-time monitor on the stress on each tie bar and automatically alarms if the stress exceeds setting limits.

① Clamping force monitoring (standard feature)

The system automatically monitors the clamping force for each mold clamping. When the clamping force exceeds the setting deviation limits, automatic alarm is triggered, effectively preventing defective products due to abnormal clamping force.

② Intelligent clamping force maintenance (standard feature)

If clamping force exceeds setting deviation, the system will smartly adjust the mold thickness during the next mold opening to ensure the clamping force returns to the set range.

Green

Low-Inertia electric pre-plasticizing — electric plasticizing for greater energy saving

The A6 series features electric plasticizing as a standard configuration, ensuring reduced noise and energy consumption. Compared to hydraulic systems, electric plasticizing reduces energy consumption by 30% to 50%.

Green plasticizing function — more energy-saving plasticizing

Green plasticizing function, as a standard feature for A6 series, will intelligently select screw speed based on cooling time to reduce plasticizing energy consumption.



Fully enclosed aerogel insulation device

- ▶ The A6 series introduces an upgraded insulation system with a fully enclosed design and optimized structure, utilizing aerogel material with exceptional thermal insulation capabilities. This upgrade extends the longevity and significantly improves energy efficiency.
- ▶ In tests on the UN160A6 model, fully enclosed aerogel insulation device (standard feature) maintains a constant temperature of 240°C for one hour, achieving about 40% energy saving compared to conventional insulation systems.

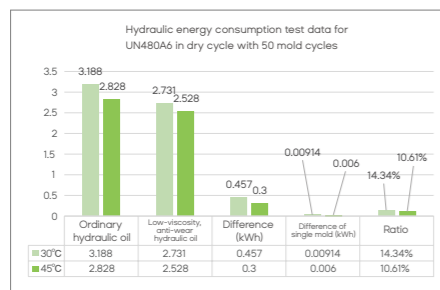
New energy-efficient hydraulic system

A6 series is equipped with new energy-efficient hydraulic system, achieving average energy saving of over 12%.

- The newly optimized hydraulic manifold channels and pipelines reduce pressure loss and minimize energy consumption.
- By using new low-viscosity, anti-wear hydraulic oil, the system delivers over 10% energy savings in dry cycle test.

New generation servo drive with energy recovery

The new drive system is designed to recover brake energy, making it more energy-efficient and eco-friendly.

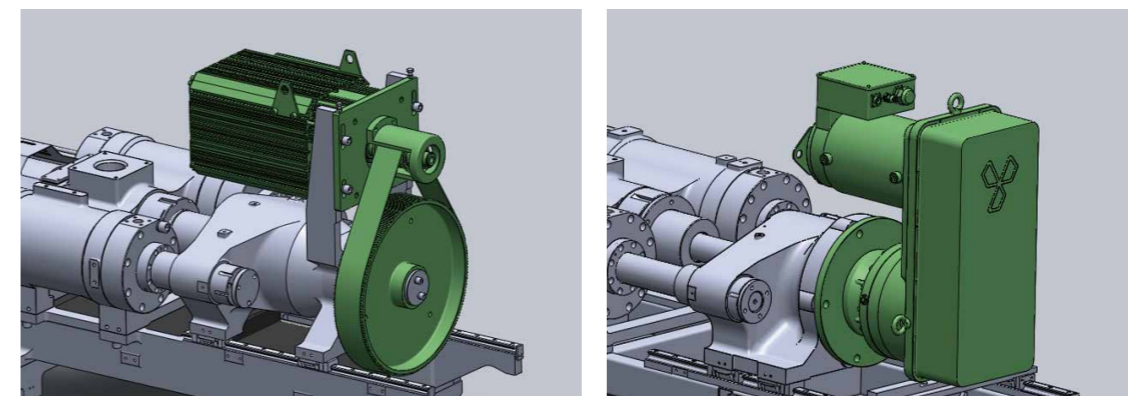


Efficiency

Parallel electric plasticizing

Innovative "dual-drive" system that allows for parallel electric plasticizing, allowing for immediate plasticizing and significantly reducing cycle time.

- ▶ Belt-driven electric plasticizing for 90T-580T
- ▶ Belt-and-gearbox-driven electric plasticizing for 650T-1850T



Upgraded injection unit for improved efficiency

The latest power system improves injection speed by an average of 9%, screw speed by an average of 30%, and plasticizing efficiency by an average of 20%.

Improved dry cycle

The A6's upgraded design ensures shorter dry cycle, with a reduction of 14% to 25% across the entire series, resulting in enhanced efficiency.

Specifications of UN90-UN200A6

Description	UNIT	UN90A6			UN120A6			UN160A6			UN200A6		
International specifications		310/900			445/1200			640/1600			945/2000		
Injection Unit													
Theoretical shot volume	cm ³	116.6	158.7	207.3	163.6	246.9	307.6	297.7	371	452.3	425.2	518.5	664.4
Shot weight	g	107.3	146	190.8	150.5	227.1	283	273.9	341.2	416.1	391.2	477	611.3
Screw diameter	mm	30	35	40	35	43	48	43	48	53	48	53	60
Injection pressure	MPa	267.2	196.3	150.3	271.8	180.1	144.5	214.6	172.2	141.3	222.8	182.8	142.6
Injection rate	g/s	69.6	94.8	123.8	89.7	135.5	168.8	135.5	168.8	205.8	168.4	205.3	263.2
Injection rate (high speed)	g/s	84.9	115.6	151.0	104.4	157.5	196.3	165.2	205.9	251.0	200.5	244.5	313.3
Screw L:D ratio	-	24: 1	20: 1	20: 1	24: 1	20: 1	20: 1	22.3:1	20: 1	20: 1	22.:1	20: 1	20: 1
Plasticizing rate (electric)	g/s	16.6	23.8	31.9	21.9	32.9	38.9	30.9	38.2	46.5	34.3	44.8	63.0
Plasticizing rate (hydraulic)	g/s	10.6	15.2	20.4	16.8	25.2	30.8	27.3	33.8	41.1	28.2	36.8	51.8
Max. injection speed	mm/s	107.1			101.4			101.4			101.2		
Max. injection speed (high speed)	mm/s	130.6			117.9			123.7			120.4		
Screw stroke	mm	165			170			205			235		
Screw speed (electric)	r/min	0-350			0-320			0-300			0-270		
Screw speed (hydraulic)	r/min	0-206			0-233			0-260			0-222		
Clamping Unit													
Clamping force	kN	900			1200			1600			2000		
Opening stroke	mm	330			360			420			490		
Space between tie bars (WxH)	mmxmm	360x360			410x410			470x470			530x530		
Max. daylight	mm	710			810			940			1040		
Mold thickness (min.-max.)	mm	130-380			145-450			160-520			180-550		
Ejector stroke	mm	100			120			140			150		
Ejector number	-	5			5			5			5		
Ejector force	kN	29			44			44			62		
Power Unit													
Max. system pressure	MPa	18.5			18.5			18.5			18.5		
Max. pump motor power	kW	19.3			21.8			26.8			28.7		
Heating power	kW	6.9/7.8			9/10.1			10.9/12.1			13.1/15.4		
Plasticizing motor power	kW	17			20.4			22.3			24.5		
Number of temp. control zones	-	5			5			5			6		
General													
Dry cycle time	s	1.5			1.6			1.9			2.4		
Oil tank capacity	L	120			155			185			240		
Machine dimensions (L×W×H)	mxmxm	4.37×1.15×1.97			4.57×1.21×2.03			5.16×1.31×2.12			5.56×1.38×2.21		
Machine weight	kg	3100			3600			4500			5500		

Note:

1. Theoretical shot volume = barrel sectional area × injection stroke

2. Shot weight = theoretical shot volume × 0.92 (GPPS)

3. Due to improvement, specifications may be changed without prior notice.

4. Please inform us if you need to produce parts made from engineering plastics like PVC, PC, and PMMA or if you have other special requirements.

Specifications of UN260-UN480A6

Description	UNIT	UN260A6			UN320A6			UN400A6			UN480A6		
International specifications		1340/2600			1995/3200			2845/4000			3520/4800		
Injection Unit													
Theoretical shot volume	cm ³	584.6	749.3	962.4	834.1	1071.3	1338.3	1198.5	1497.0	1828.8	1678.5	2050.5	2459.6
Shot weight	g	537.9	689.3	885.4	767.4	985.6	1231.2	1102.6	1377.3	1682.5	1544.2	1886.4	2262.8
Screw diameter	mm	53	60	68	60	68	76	68	76	84	76	84	92
Injection pressure	MPa	229.5	179.1	139.4	239.2	186.2	149.1	237.7	190.3	155.7	210.0	171.9	143.3
Injection rate	g/s	207.6	266.1	341.8	260.9	335.1	418.6	328.4	410.3	501.2	391.8	478.7	574.2
Injection rate (high speed)	g/s	247.2	316.8	406.9	296.5	380.8	475.6	373.2	466.2	569.5	486.4	594.2	712.8
Screw L:D ratio	-	22.6:1	20: 1	20: 1	22.6:1	20: 1	20: 1	22.3:1	20:1	20:1	22.1:1	20:1	20:1
Plasticizing rate (electric)	g/s	38.9	61.7	73.0	61.1	70.6	83.4	57.6	73.9	93.0	69.4	89.0	109.3
Plasticizing rate (hydraulic)	g/s	33.1	52.5	62.1	53.5	61.8	74.5	49.5	63.5	83.4	53.8	74.5	91.5
Max. injection speed	mm/s	102.3			100.3			98.3			93.9		
Max. injection speed (high speed)	mm/s	121.8			114.0			111.7			116.5		
Screw stroke	mm	265			295			330			370		
Screw speed (electric)	r/min	0-240			0-240			0-200			0-190		
Screw speed (hydraulic)	r/min	0-200			0-210			0-165			0-138		
Clamping Unit													
Clamping force	kN	2600			3200			4000			4800		
Opening stroke	mm	550			640			700			780		
Space between tie bars (WxH)	mmxmm	610X570			680X680			730x730			830x810		
Max. daylight	mm	1160			1320			1430			1590		
Mold thickness (min.-max.)	mm	195-610			220-680			240-730			260-810		
Ejector stroke	mm	160			170			210			220		
Ejector number	-	13			13			13			17		
Ejector force	kN	82			82			118			118		
Power Unit													
Max. system pressure	MPa	18.5			18.5			18.5			18.5		
Max. pump motor power	kW	36.4			50.9			58.6			67.4		
Heating power	kW	16.6/19.1			25.3/28.4			26.9/30.9			33.4/36.2		
Plasticizing motor power	kW	28.3			39.3			57.8			62.8		
Number of temp. control zones	-	6			6			7			7		
General													
Dry cycle time	s	2.7			2.8			3			3.5		
Oil tank capacity	L	315			390			500			545		
Machine dimensions (LxWxH)	mxmxm	6.31x1.54x2.45			6.98x1.64x2.50			7.85x1.98x2.37			8.43x2.08x2.46		
Machine weight	kg	7600			9700			14700			17900		

Note:

1. Theoretical shot volume = barrel sectional area × injection stroke

2. Shot weight = theoretical shot volume × 0.92 (GPPS)

3. Due to improvement, specifications may be changed without prior notice.

4. Please inform us if you need to produce parts made from engineering plastics like PVC, PC, and PMMA or if you have other special requirements.

Specifications of UN580-UN1000A6

Description	UNIT	UN580A6				UN650A6				UN800A6				UN1000A6			
International specifications		4715/5800				5610/6500				7180/8000				9535/10000			
Injection Unit																	
Theoretical shot volume	cm ³	2211.7	2438.4	2924.9	3455.7	2438.4	2924.9	3455.7	4030.8	3190.9	3769.9	4397.2	5072.8	4319.7	5038.5	5812.6	6749.5
Shot weight	g	2034.7	2243.3	2691.0	3179.3	2243.3	2691.0	3179.3	3708.3	2935.6	3468.3	4045.4	4667.0	3974.1	4635.4	5347.6	6209.5
Screw diameter	mm	80	84	92	100	84	92	100	108	92	100	108	116	100	108	116	125
Injection pressure	MPa	213.2	193.4	161.2	136.4	230.1	191.8	162.3	139.2	225.0	190.5	163.3	141.5	220.8	189.3	164.1	141.3
Injection rate	g/s	425.9	469.6	563.3	665.5	488.4	585.9	692.2	807.4	595.7	703.8	820.9	947.0	674.9	787.2	908.1	1054.5
Injection rate (high speed)	g/s	468.5	516.5	619.5	732.0	532.8	639.1	755.1	880.7	666.6	787.6	918.7	1059.8	771.0	899.3	1037.4	1204.7
Screw L:D ratio	-	23.2:1	22:1	21.7:1	20:1	21.9:1	22:1	21.6:1	20:1	21.7:1	22:1	21.5:1	20:1	21.6:1	22:1	21.6:1	20:1
Plasticizing rate (electric)	g/s	69.4	89.0	109.3	136.9	76.9	94.5	112.0	132.3	96.2	112.3	132.6	152.7	99.4	117.6	145.8	158.2
Plasticizing rate (hydraulic)	g/s	53.8	74.5	91.5	108.5	74.5	91.5	108.5	128.2	90.2	105.3	124.3	143.2	90.2	106.7	132.2	143.5
Max. injection speed	mm/s	92.1				95.8				97.4				93.4			
Max. injection speed (high speed)	mm/s	101.3				104.5				109				106.7			
Screw stroke	mm	440				440				480				550			
Screw speed (electric)	r/min	0-190				0-160				0-160				0-135			
Screw speed (hydraulic)	r/min	0-140				0-155				0-150				0-120			
Clamping Unit																	
Clamping force	kN	5800				6500				8000				10000			
Opening stroke	mm	880				900				1040				1220			
Space between tie bars (WxH)	mmxmm	860x860				930x930				1000x1000				1160x1160			
Max. daylight	mm	1760				1800				2040				2380			
Mold thickness (min.-max.)	mm	380-880				350-900				400-1000				450-1160			
Ejector stroke	mm	220				280				280				320			
Ejector number	-	17				21				21				21			
Ejector force	kN	176				192				192				290			
Power Unit																	
Max. system pressure	MPa	18.5				18.5				18.5				18.5			
Max. pump motor power	kW	67.4				76.4				88.4				98.4			
Heating power	kW	33.4/43				41.1/47				45.2/51				56.5/63.6			
Plasticizing motor power	kW	62.8				76.4				88.4				98.4			
Number of temp. control zones	-	7				7				7				8			
General																	
Dry cycle time	s	4				5				5				6			
Oil tank capacity	L	675				805				895				930			
Machine dimensions (LxWxH)	mxmxm	9.06x2.13x2.44				9.74x2.30x2.62				10.59x2.44x2.67				11.67x2.64x2.86			
Machine weight	kg	20000				25000				33000				42200			

Note:

1. Theoretical shot volume = barrel sectional area × injection stroke

2. Shot weight = theoretical shot volume × 0.92 (GPPS)

3. Due to improvement, specifications may be changed without prior notice.

4. Please inform us if you need to produce parts made from engineering plastics like PVC, PC, and PMMA or if you have other special requirements.

Specifications of UN1200-UN1850A6

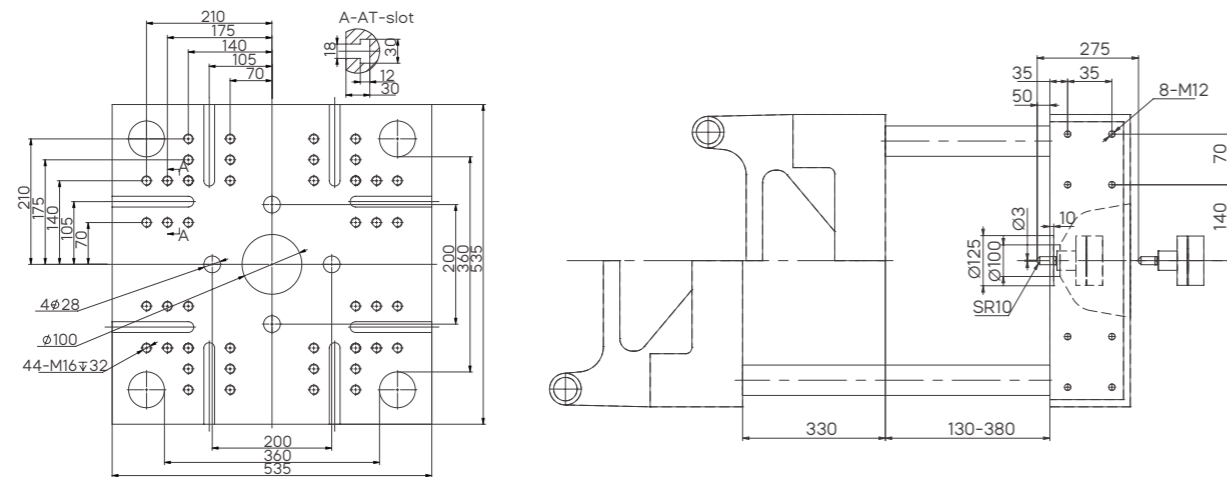
Description	UNIT	UN1200A6				UN1400A6				UN1600A6				UN1850A6			
International specifications		9022				10471				14473				14473			
Injection Unit																	
Theoretical shot volume	cm ³	4319.7	5038.5	5812.6	6749.5	5221.7	6023.9	6994.9	8158.9	7976.7	9304.0	10733.4	12265.0	7976.7	9304.0	10733.4	12265.0
Shot weight	g	3974.1	4635.4	5347.6	6209.5	4804.0	5542.0	6435.4	7506.2	7338.6	8559.7	9874.8	11283.8	7338.6	8559.7	9874.8	11283.8
	oz	140.2	163.5	188.6	219.0	169.5	195.5	227.0	264.8	258.9	301.9	348.3	398.0	258.9	301.9	348.3	398.0
Screw diameter	mm	100	108	116	125	108	116	125	135	125	135	145	155	125	135	145	155
Injection pressure	MPa	208.9	179.1	155.2	133.7	200.5	173.8	149.7	128.3	181.4	155.6	134.8	118.0	181.4	155.6	134.8	118.0
Injection rate	g/s	686	801	924	1073	784	904	1050	1225	1016	1185	1367	1562	1016	1185	1367	1562
Screw L:D ratio	-	21.6:1	22:1	21.6:1	20:1	23.6:1	22:1	21.6:1	20:1	23.6:1	22:1	21.4:1	20:1	23.6:1	22:1	21.4:1	20:1
Plasticizing rate (electric)	g/s	105	110	120	132	106	114	125	142	125	142	155	168	125	142	155	168
Plasticizing rate (hydraulic)	g/s	98	102	112	116	100	110	120	128	114	128	138	141	114	128	138	141
Max. injection speed	mm/s	95				93				90				90			
Screw stroke	mm	550				570				650				650			
Screw speed (electric)	r/min	0-135				0-125				0-125				0-125			
Screw speed (hydraulic)	r/min	0-126			0-113	0-120			0-113	0-114		0-103	0-114			0-103	
Clamping Unit																	
Clamping force	kN	12000				14000				16000				18500			
Opening stroke	mm	1310				1500				1600				1650			
Space between tie bars	mmxmm	1250x1250				1450x1350				1550x1430				1650x1500			
Max. daylight	mm	2560				2900				3150				3250			
Mold thickness (min.-max.)	mm	500-1250				600-1400				650-1550				750-1600			
Ejector stroke	mm	320				380				400				400			
Ejector number	-	29				29				29				33			
Ejector force	kN	274				303				303				430			
Power Unit																	
Max. system pressure	MPa	17.5				17.5				17.5				17.5			
Max. pump motor power	kW	98.4				108.9				138.2				138.2			
Heating power	kW	59/66.7				66.54/70.6				87.9				87.9			
Plasticizing motor power	kW	98.4				108.9				138.2				138.2			
Number of temp. control zones	-	8				8				8				8			
General																	
Dry cycle time	s	7.7				9				11.1				12			
Oil tank capacity	L	1045				1195				1245				1260			
Machine dimensions (L×W×H)	mxmxm	12.3x2.86x2.99				13.40x3.11x3.08				14.61x3.28x3.17				14.92x3.41x3.27			
Machine weight	kg	56000				70000				85500				97300			

Note:

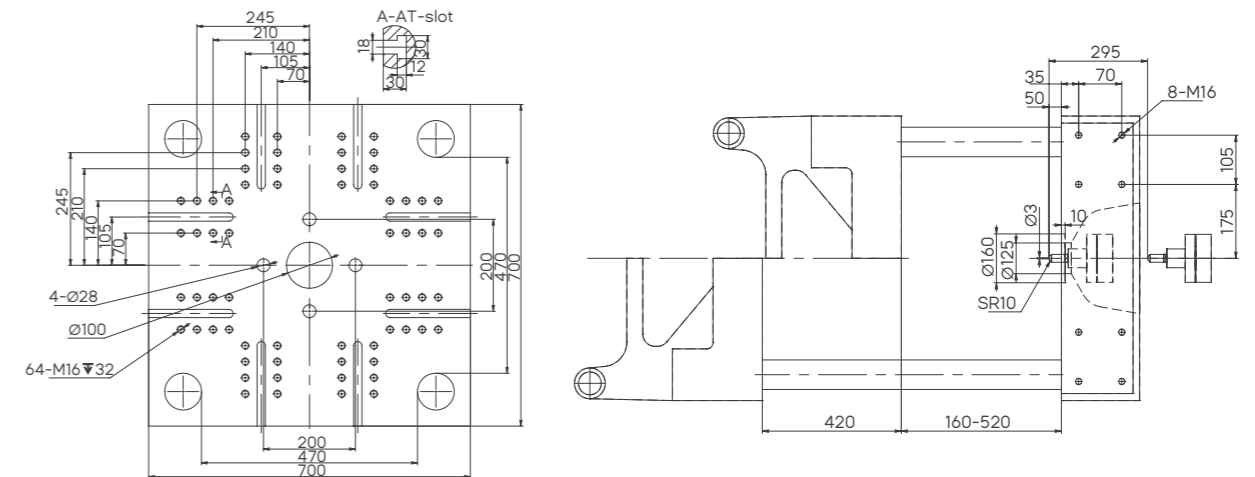
- Theoretical shot volume = barrel sectional area × injection stroke
- Shot weight = theoretical shot volume × 0.92 (GPPS)
- Due to improvement, specifications may be changed without prior notice.
- Please inform us if you need to produce parts made from engineering plastics like PVC, PC, and PMMA or if you have other special requirements.

Platen Dimensions

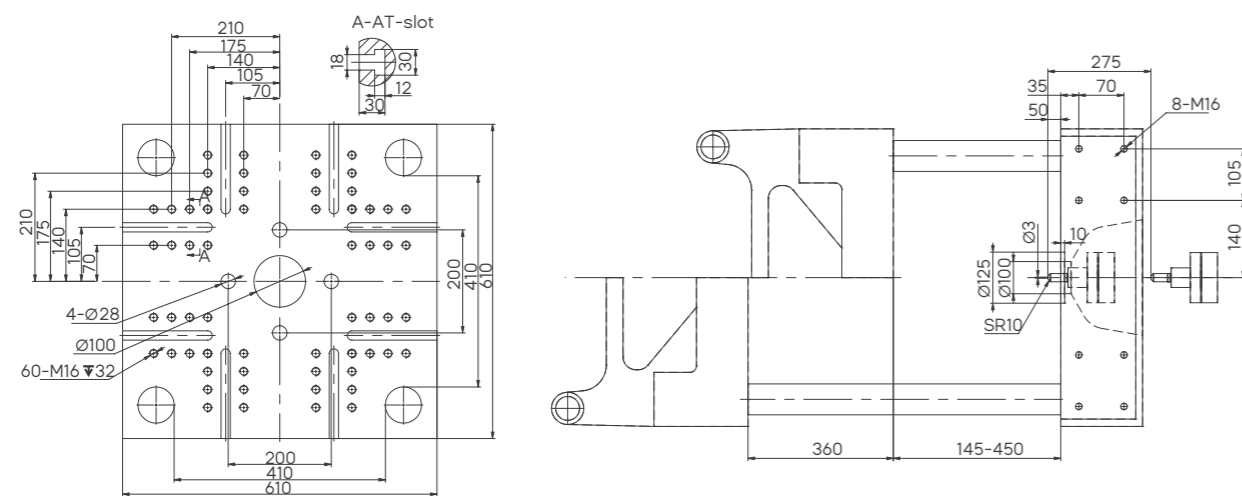
UN90A6



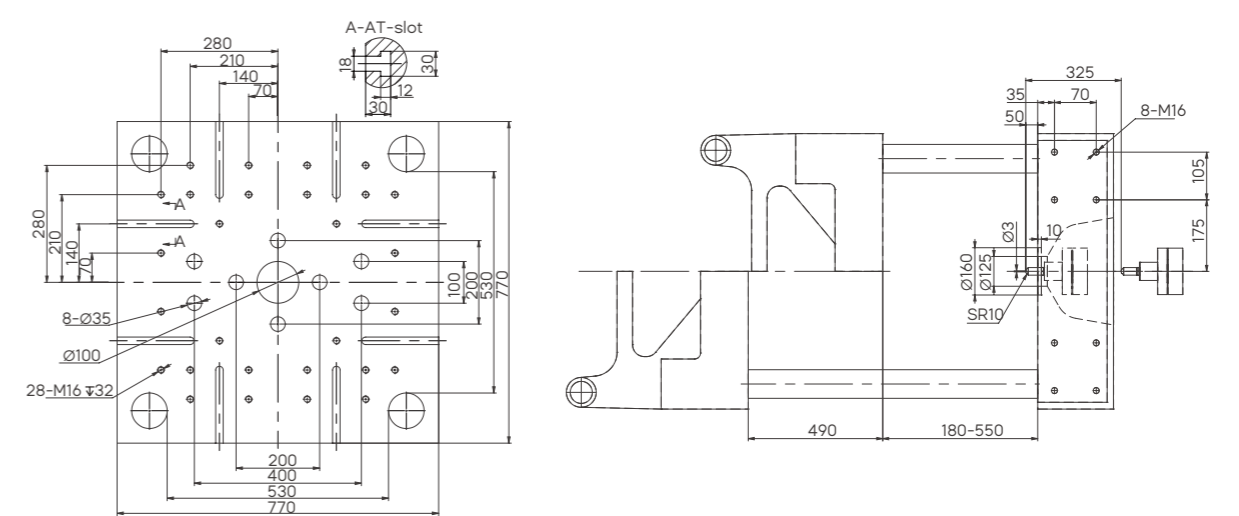
UN160A6



UN120A6



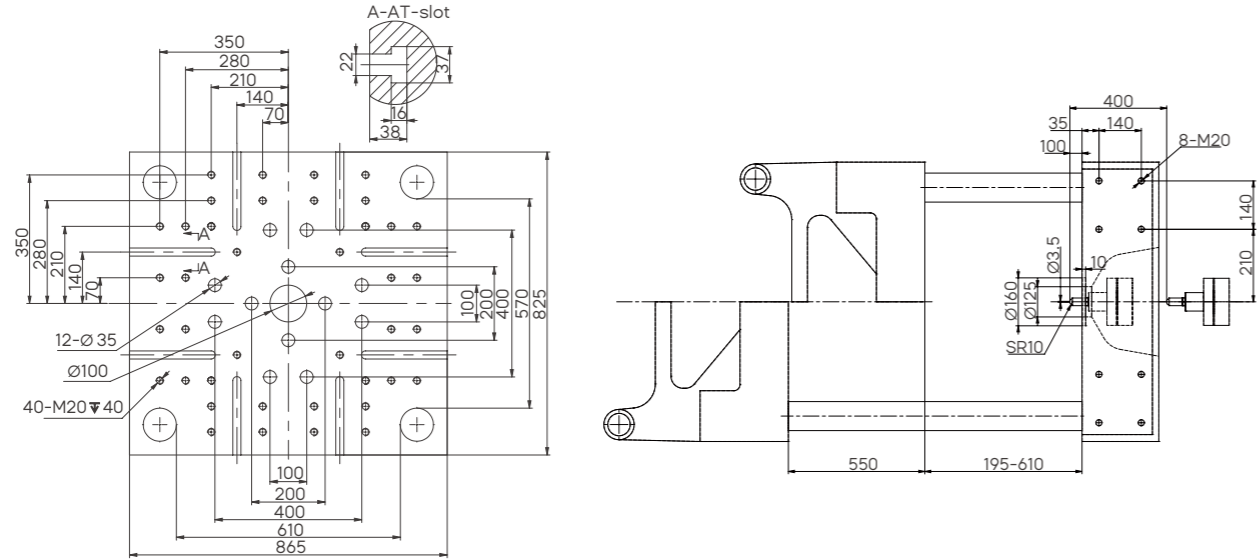
UN200A6



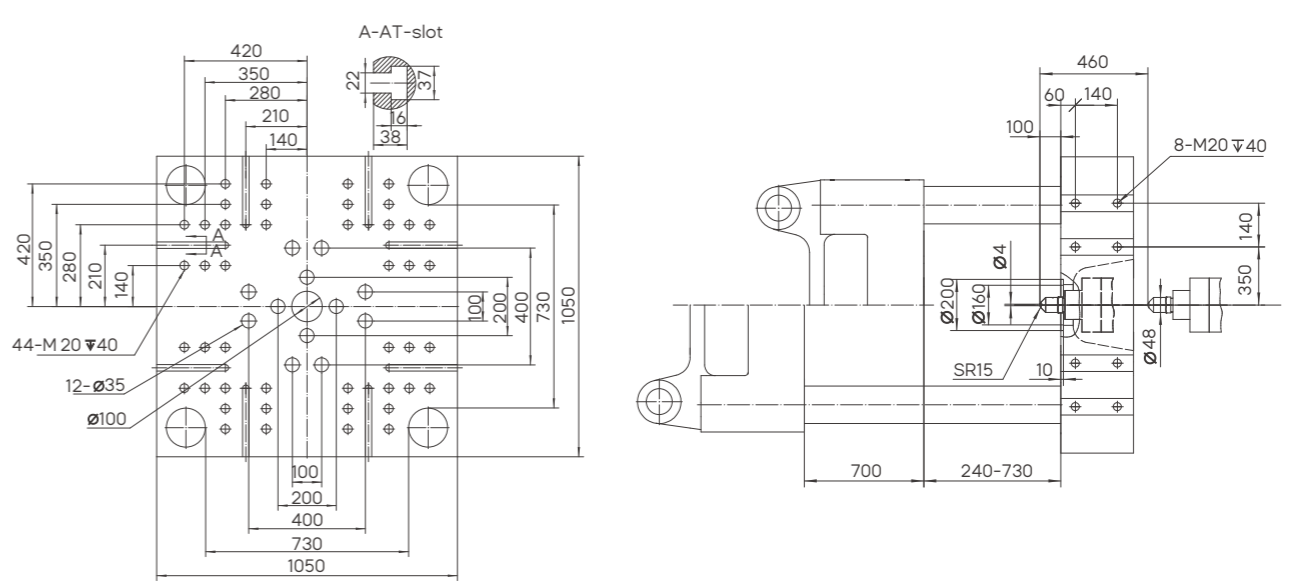
* The data above were acquired by testing in YIZUMI, only for your reference. YIZUMI reserves the right of final interpretation upon disputes and ambiguities.

Platen Dimensions

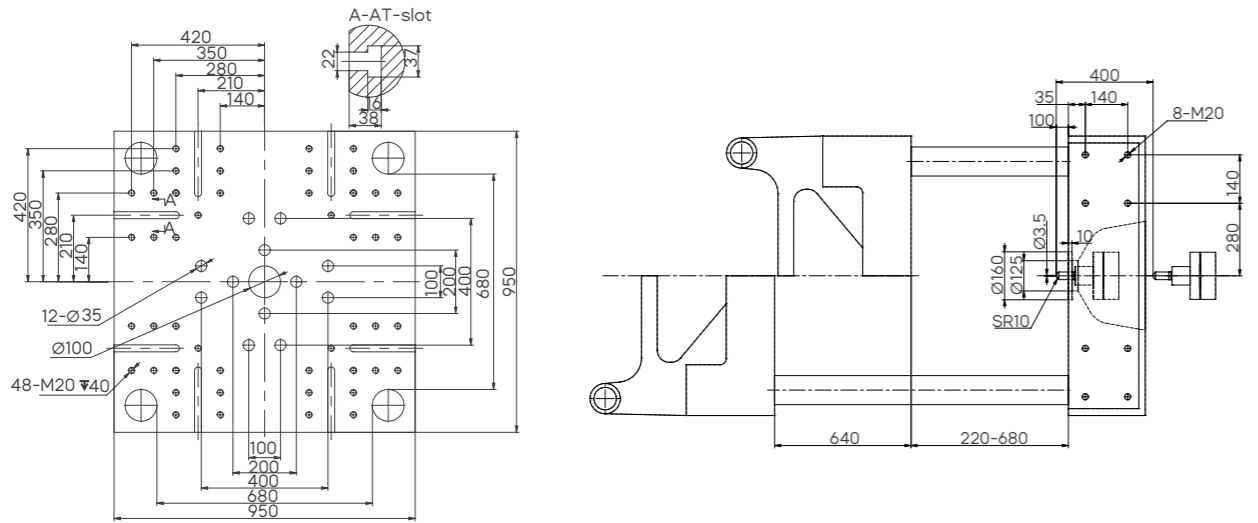
UN260A6



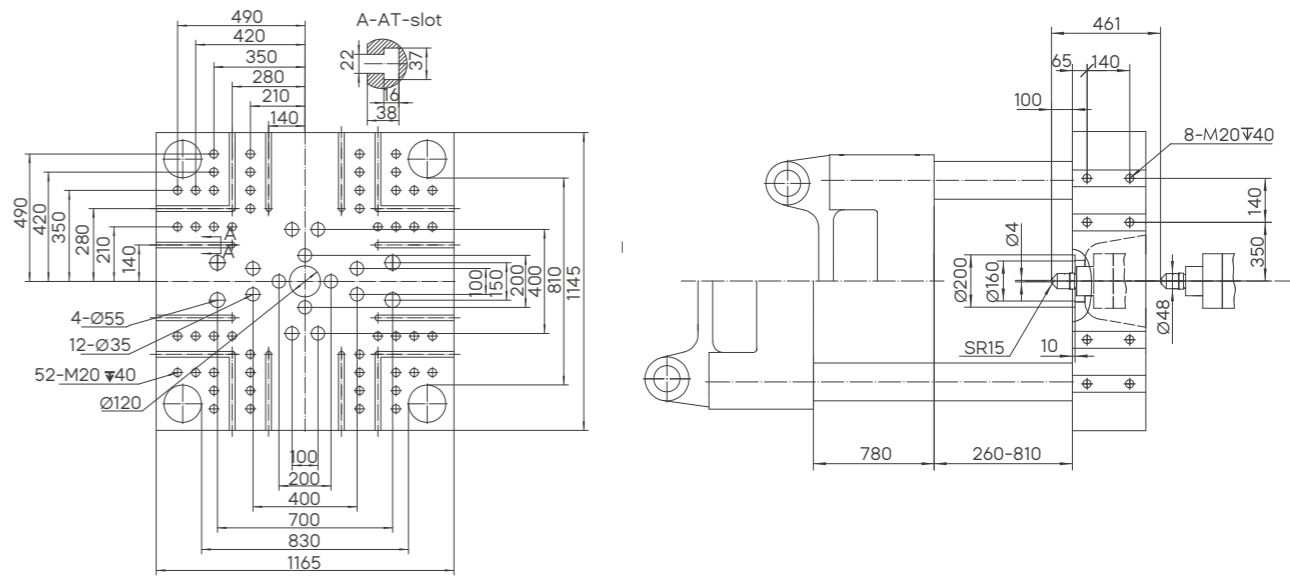
UN400A6



UN320A6



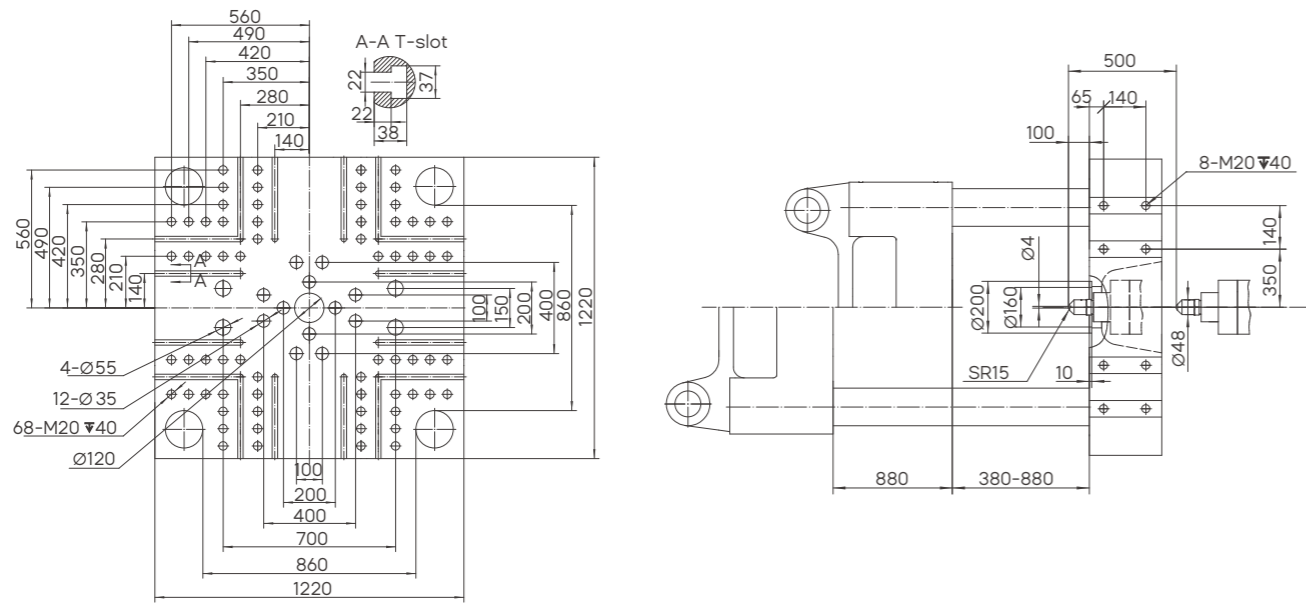
UN480A6



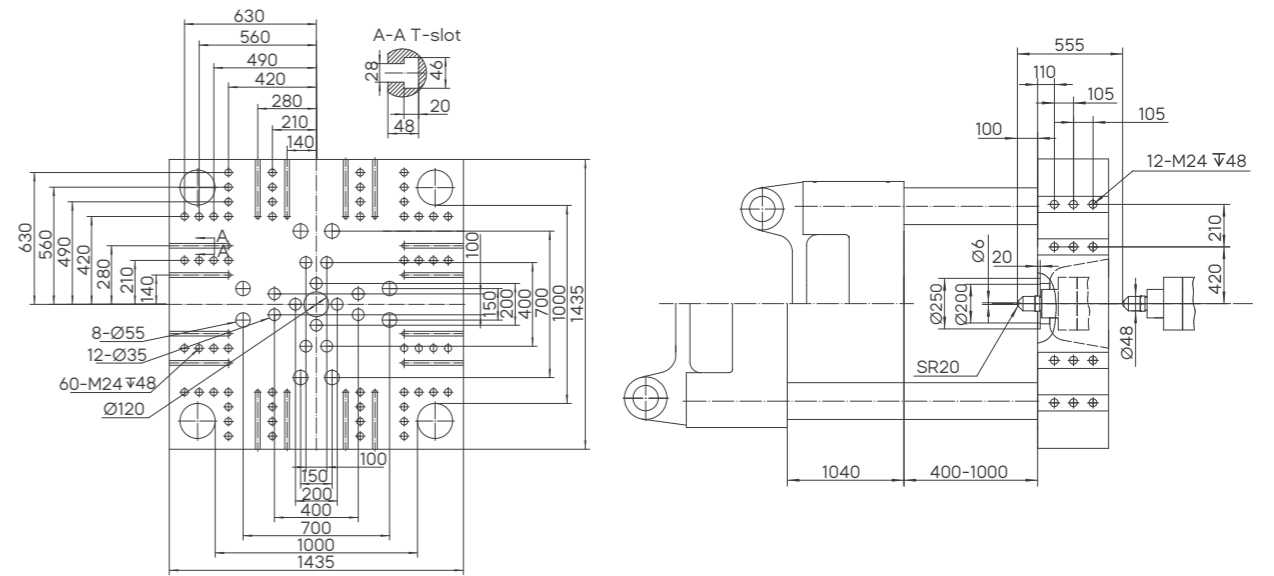
* The data above were acquired by testing in YIZUMI, only for your reference. YIZUMI reserves the right of final interpretation upon disputes and ambiguities.

Platen Dimensions

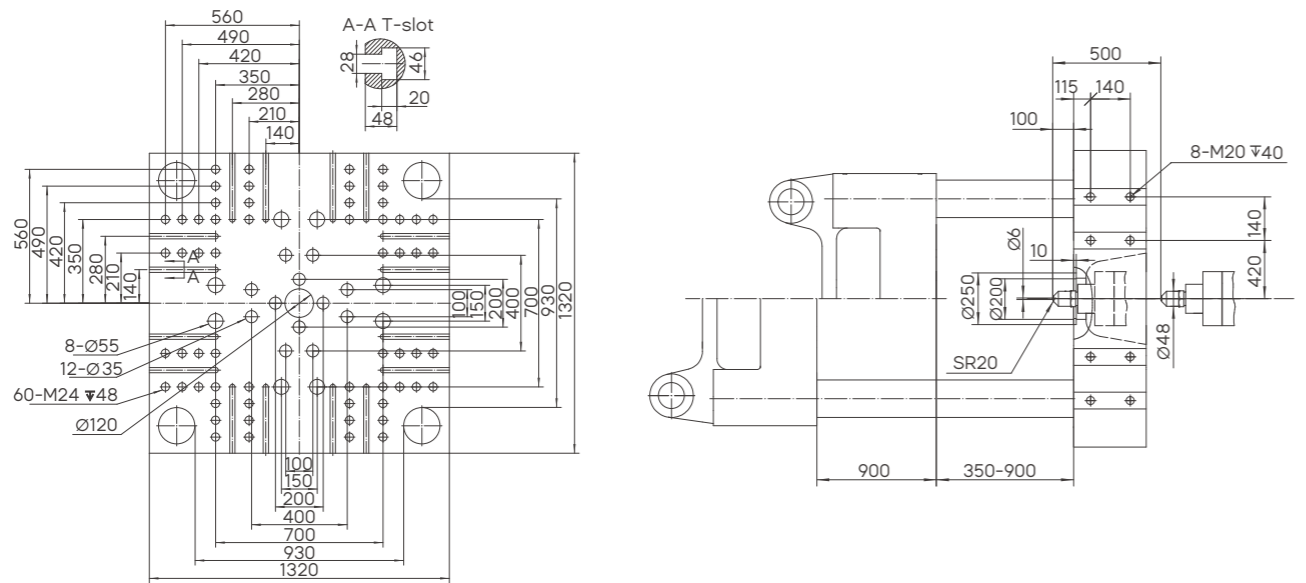
UN580A6



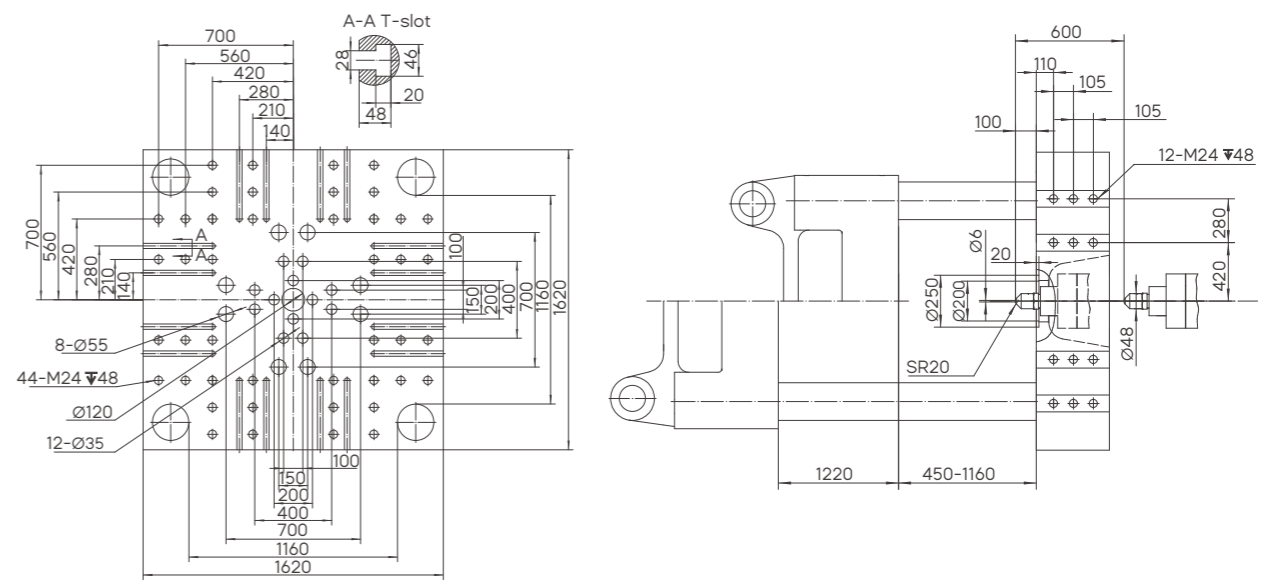
UN800A6



UN650A6



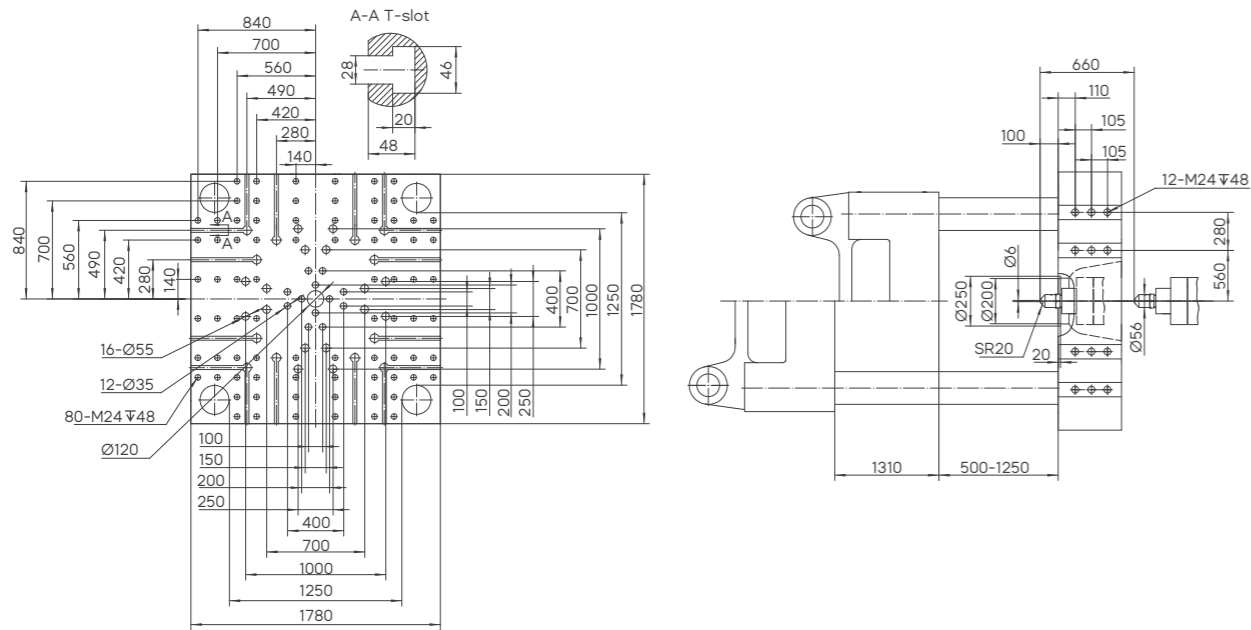
UN1000A6



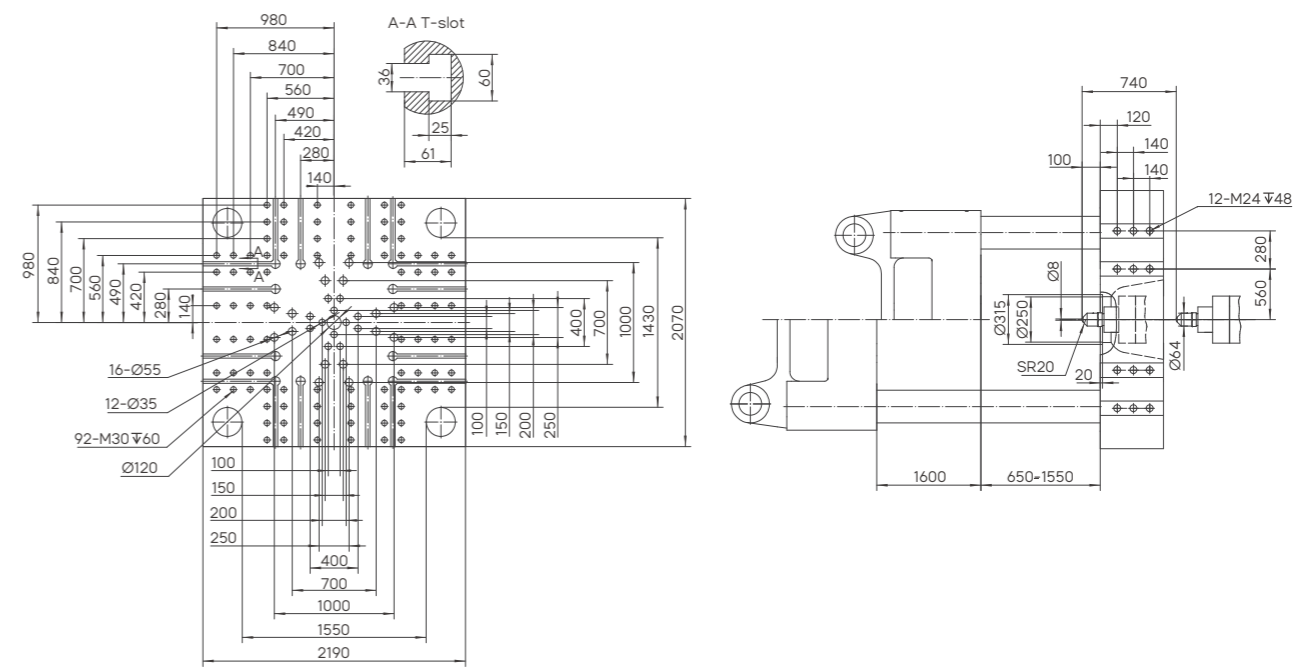
* The data above were acquired by testing in YIZUMI, only for your reference. YIZUMI reserves the right of final interpretation upon disputes and ambiguities.

Platen Dimensions

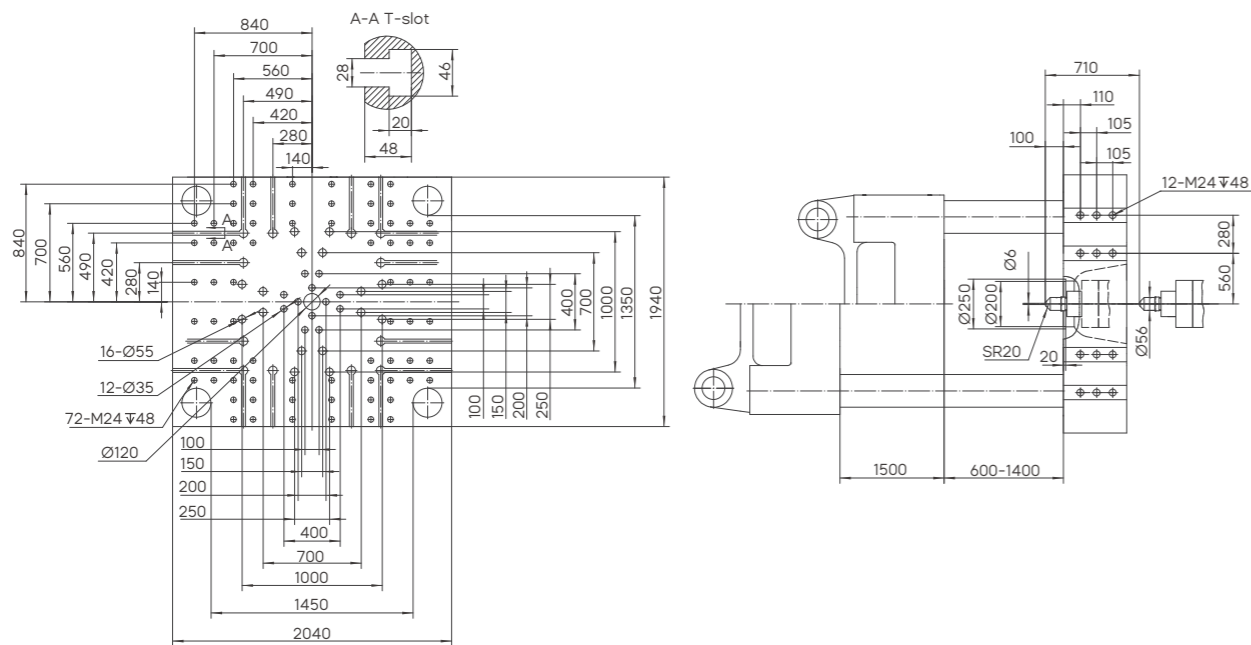
UN1200A6



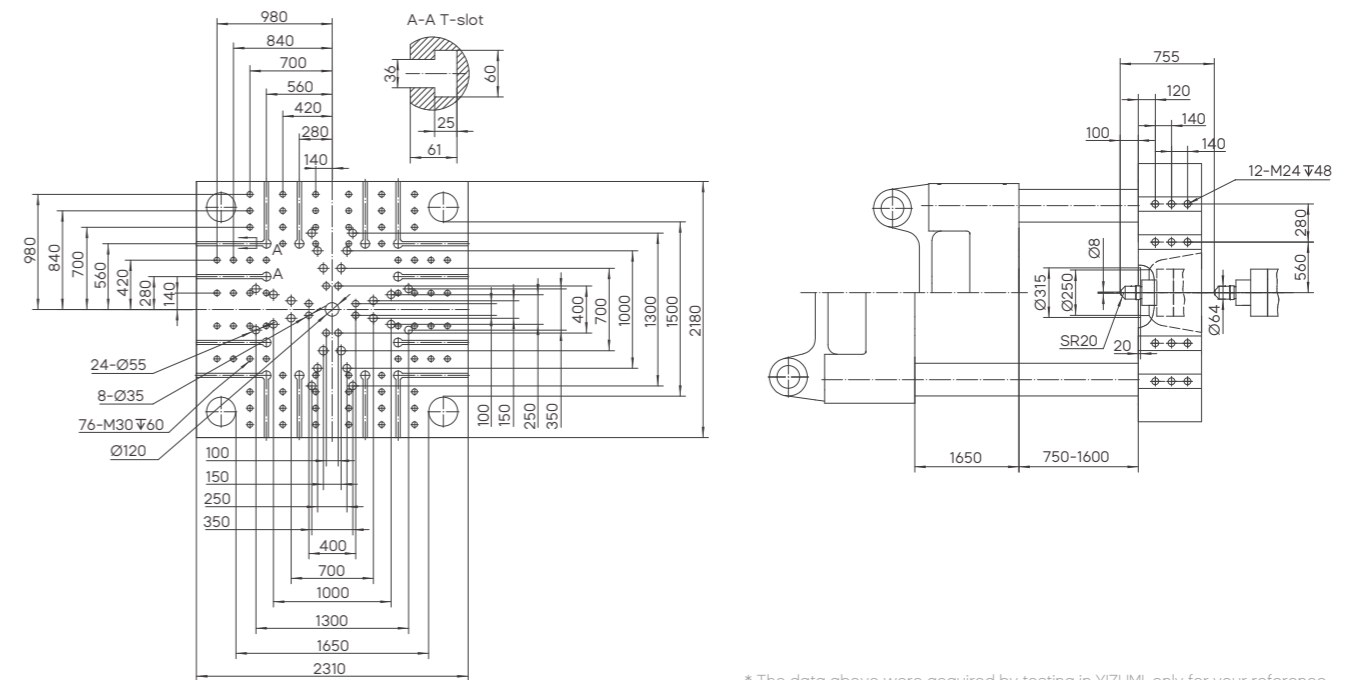
UN1600A6



UN1400A6

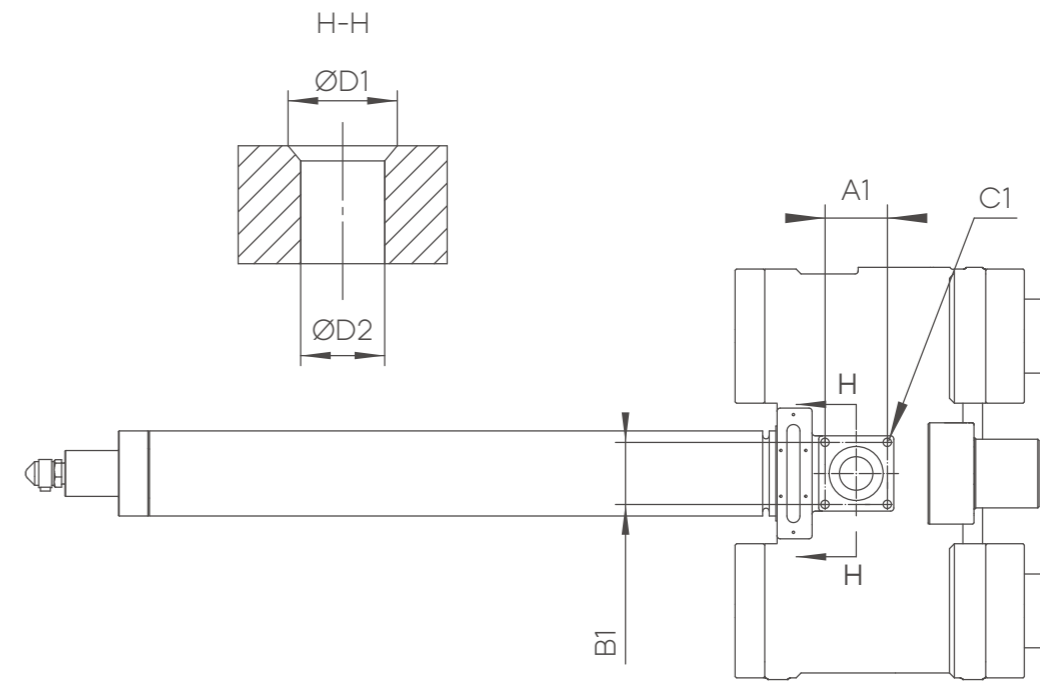
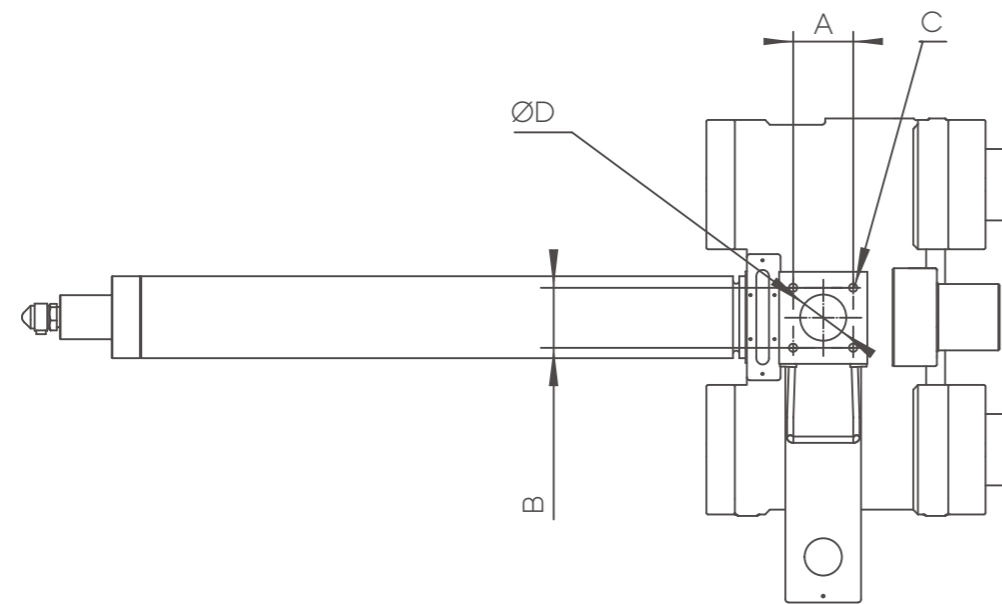


UN1850A6



* The data above were acquired by testing in YIZUMI, only for your reference. YIZUMI reserves the right of final interpretation upon disputes and ambiguities.

Hopper Installation Hole Dimensions

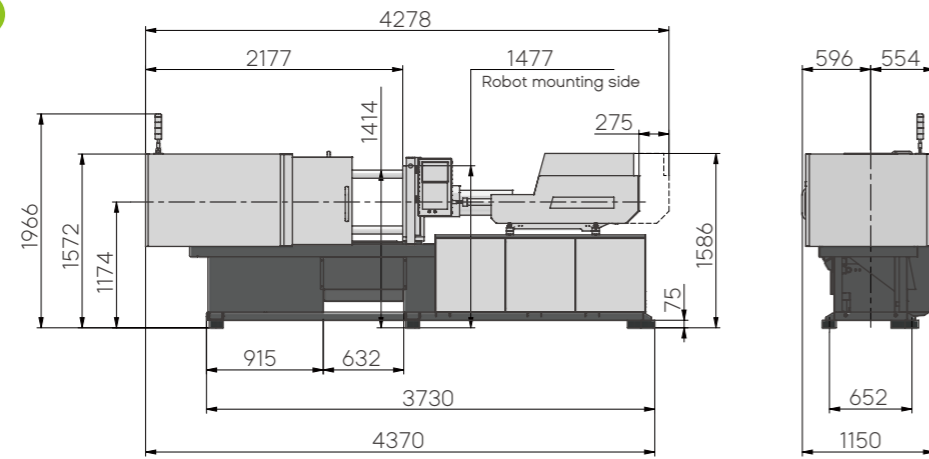


Model	Movable hopper as standard feature or not	Movable hopper seat dimensions				Injection front platen dimensions				
		A(mm)	B(mm)	C(mm)	D(mm)	A1(mm)	B1(mm)	C1(mm)	D1(mm)	D2(mm)
90A6	○	95±0.2	95±0.2	4-M8	50	80±0.2	80±0.2	4-M8	60	50
120A6	○	95±0.2	95±0.2	4-M8	60	80±0.2	80±0.2	4-M8	60	50
160A6	○	95±0.2	95±0.2	4-M8	60	95±0.2	95±0.2	4-M8	70	60
200A6	○	95±0.2	95±0.2	4-M8	60	95±0.2	95±0.2	4-M8	64	60
260A6	○	140±0.2	140±0.2	4-M12	76	140±0.2	140±0.2	4-M12	82	70
320A6	○	140±0.2	140±0.2	4-M12	76	140±0.2	140±0.2	4-M12	92	80
400A6	×	140±0.2	140±0.2	4-M12	80	140±0.4	140±0.4	4-M12	102	90
480A6	×	140±0.2	140±0.2	4-M12	80	140±0.2	140±0.2	4-M12	112	100
580A6	×	160±0.2	160±0.2	4-M16	90	160±0.2	160±0.2	4-M16	112	110
650A6	×	160±0.2	160±0.2	4-M16	90	160±0.2	160±0.2	4-M16	120	110
800A6	×	160±0.2	160±0.2	4-M16	90	160±0.2	160±0.2	4-M16	126	116
1000A6	×	160±0.2	160±0.2	4-M16	90	160±0.2	160±0.2	4-M16	126	116
1200A6	×	160±0.2	160±0.2	4-M16	90	160±0.2	160±0.2	4-M16	126	116
1400A6	×	160±0.2	160±0.2	4-M16	90	160±0.2	160±0.2	4-M16	146	135
1600A6	×	160±0.2	160±0.2	4-M16	110	280±0.2	280±0.2	4-M20	172	155
1850A6	×	160±0.2	160±0.2	4-M16	110	280±0.2	280±0.2	4-M20	172	155

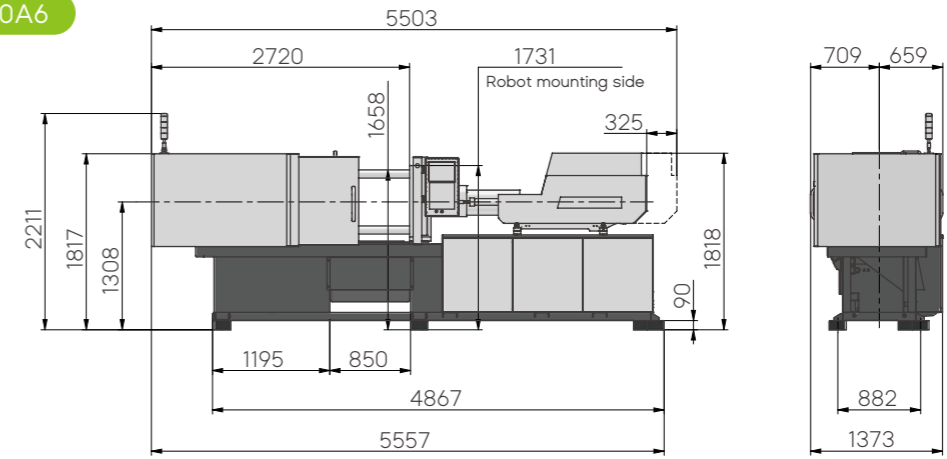
* The data above were acquired by testing in YIZUMI, only for your reference.
YIZUMI reserves the right of final interpretation upon disputes and ambiguities.

Machine Dimensions

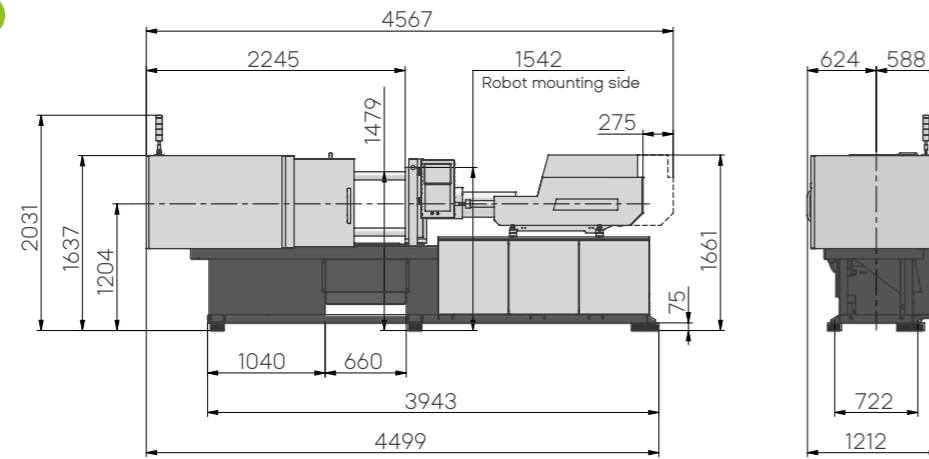
UN90A6



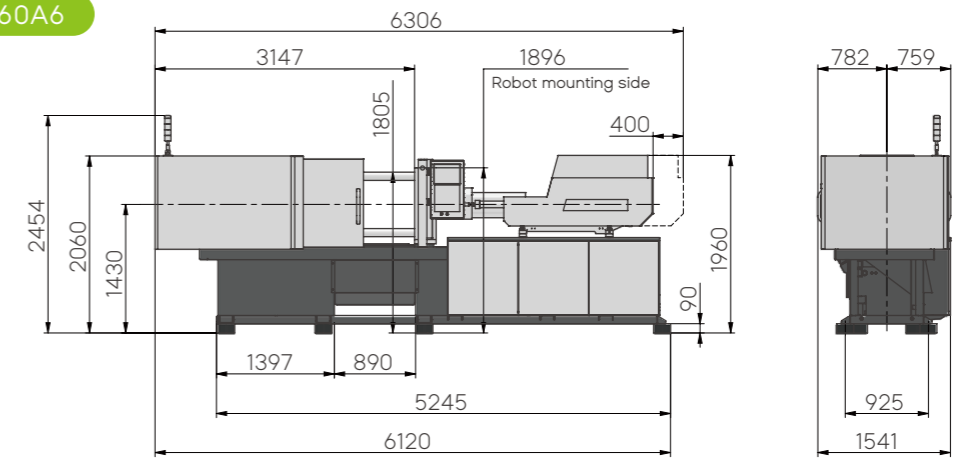
UN200A6



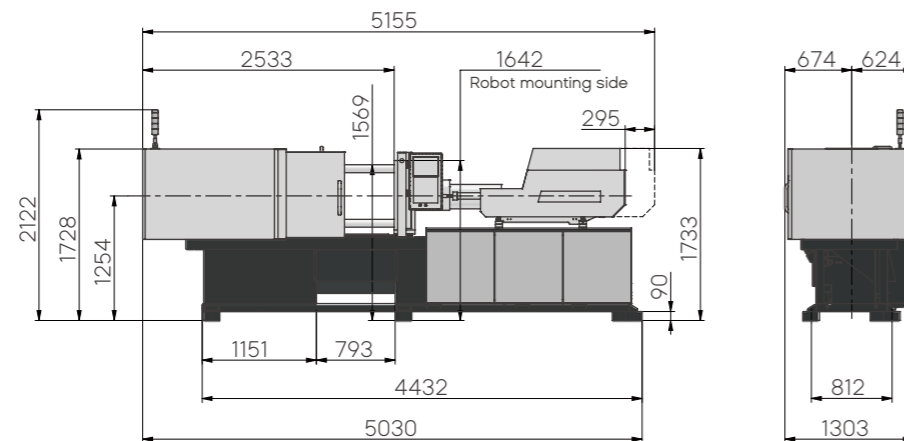
UN120A6



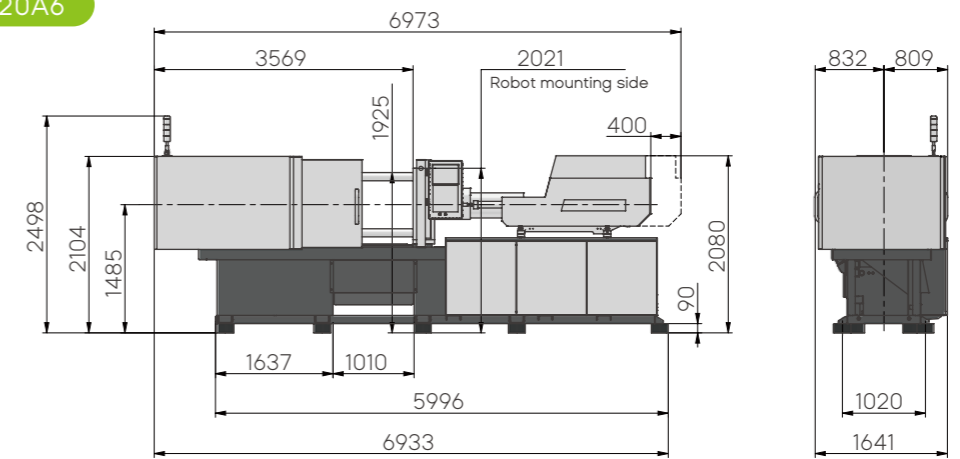
UN260A6



UN160A6



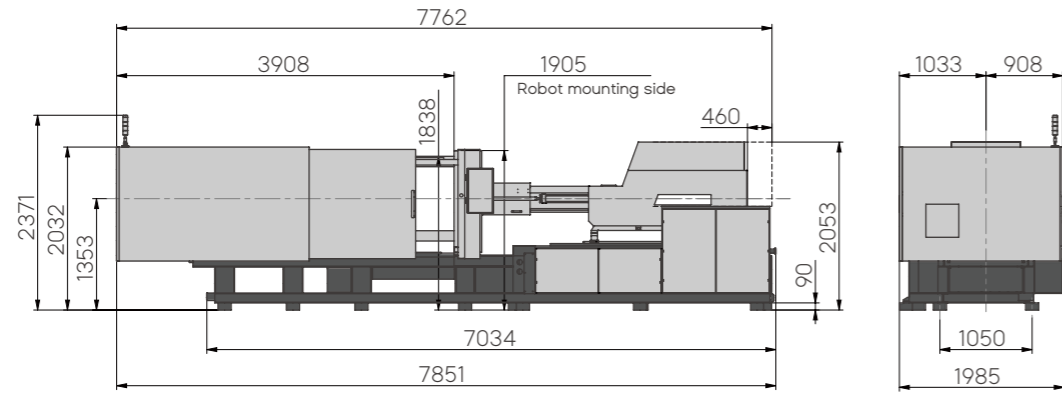
UN320A6



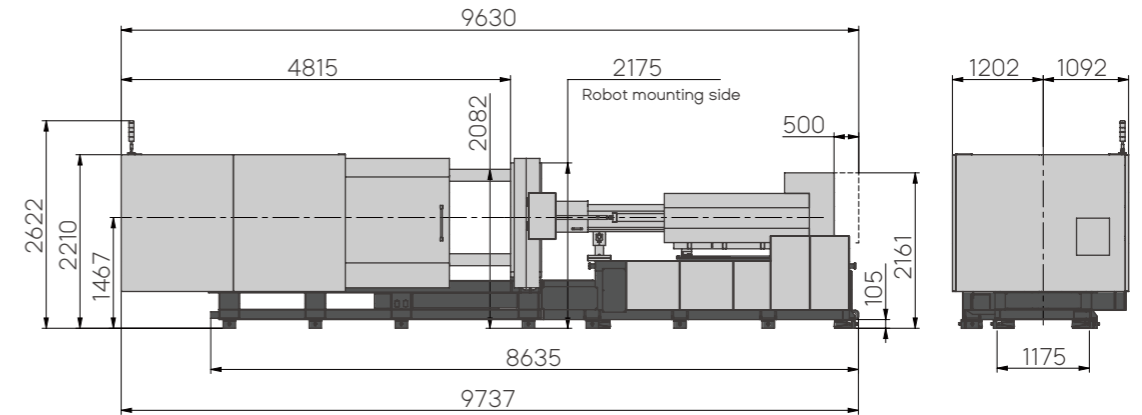
* The data above were acquired by testing in YIZUMI, only for your reference. YIZUMI reserves the right of final interpretation upon disputes and ambiguities.

Machine Dimensions

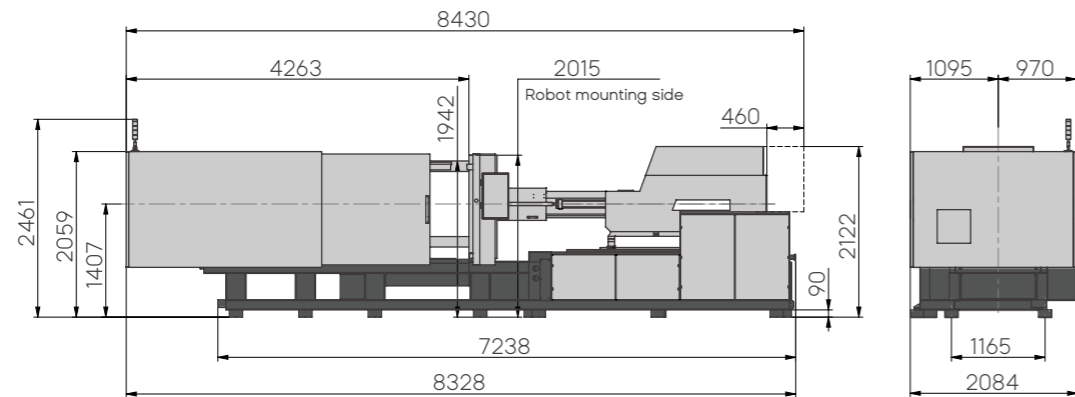
UN400A6



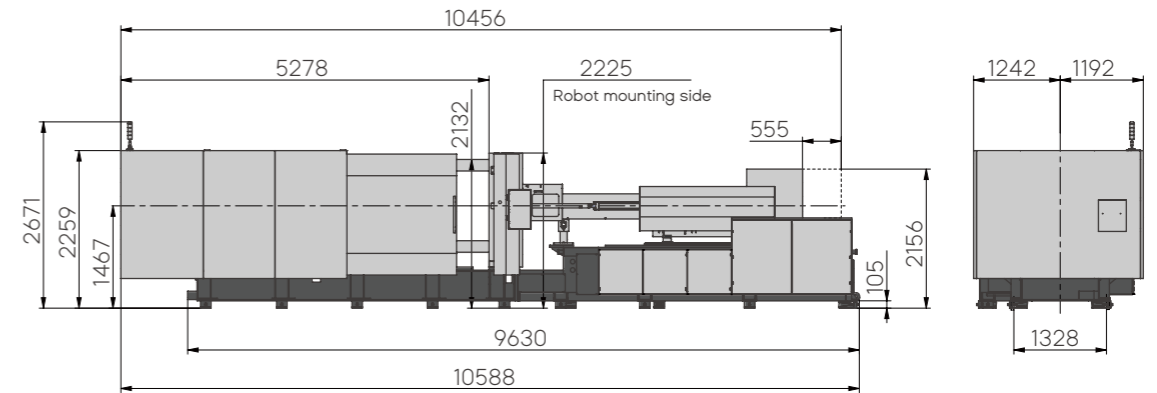
UN650A6



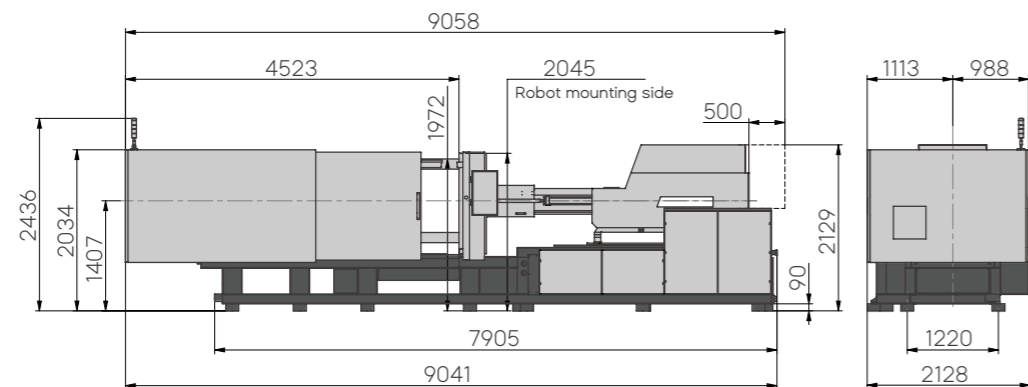
UN480A6



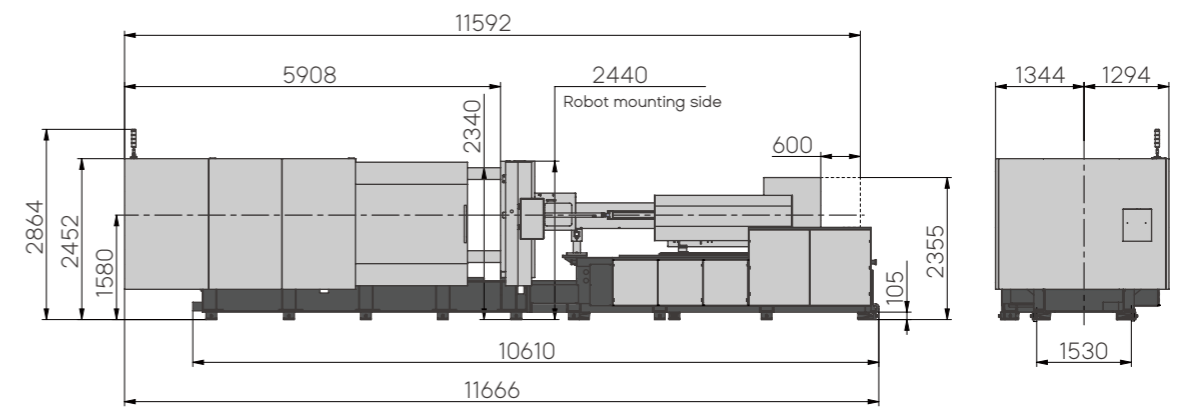
UN800A6



UN580A6



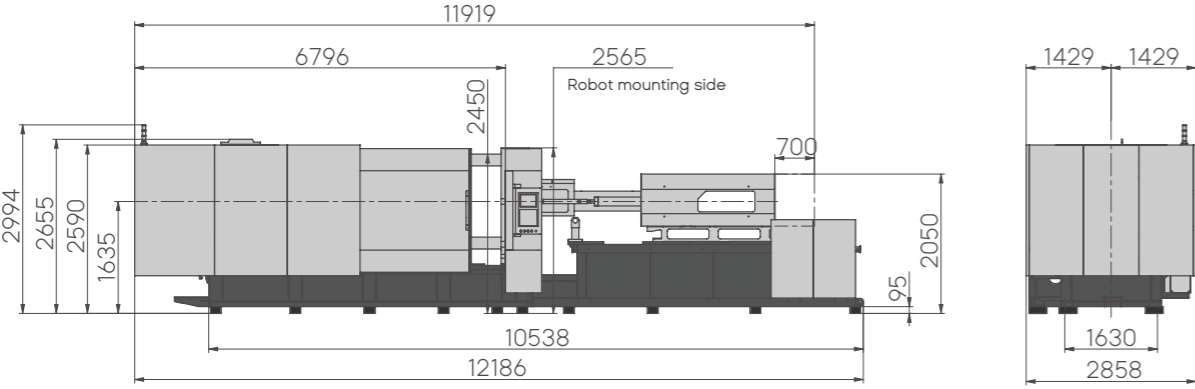
UN1000A6



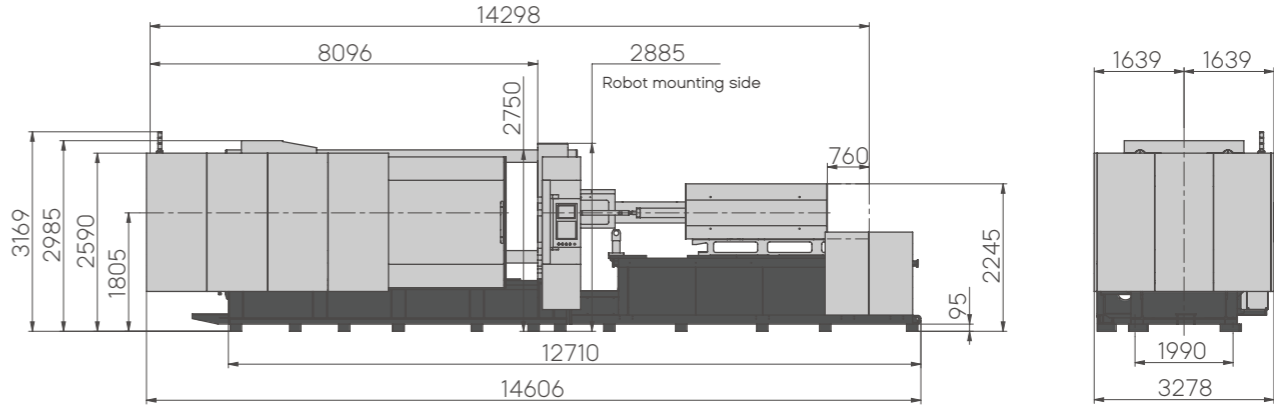
* The data above were acquired by testing in YIZUMI, only for your reference. YIZUMI reserves the right of final interpretation upon disputes and ambiguities.

Machine Dimensions

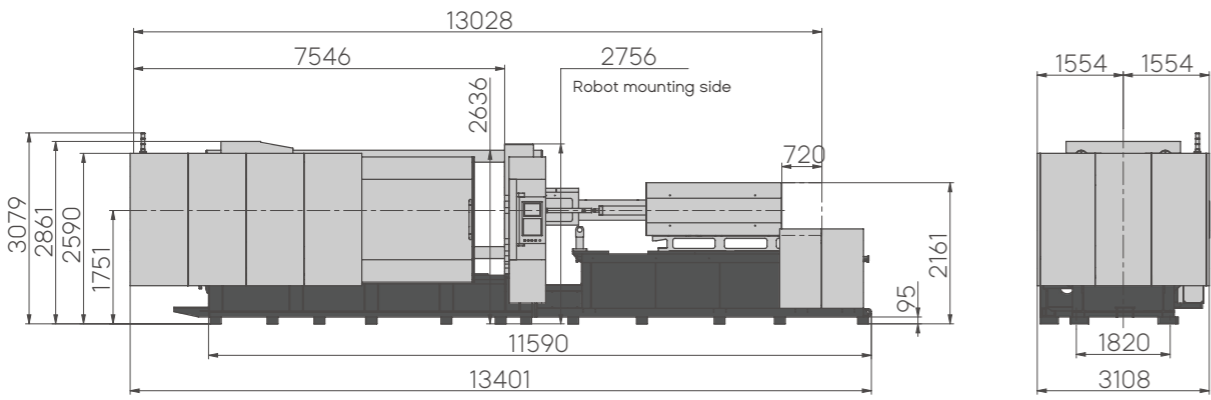
UN1200A6



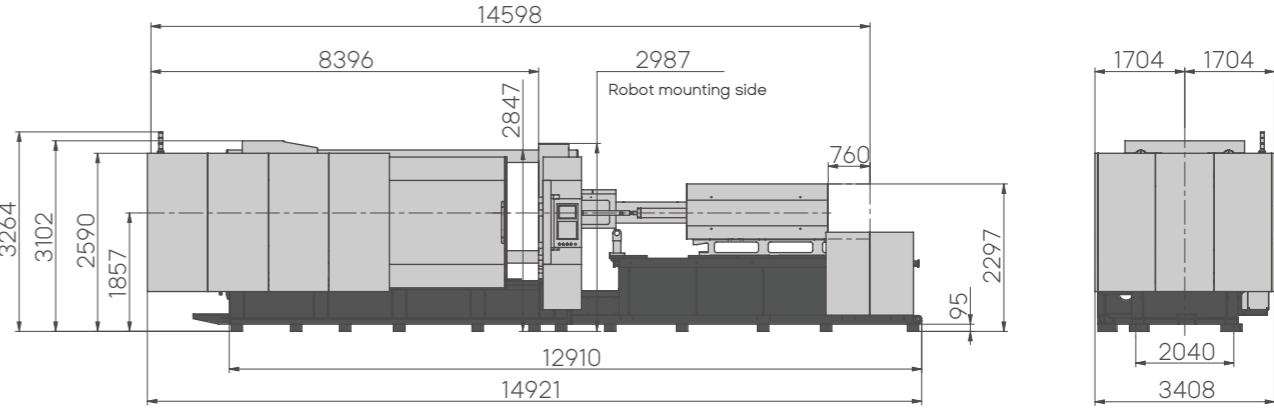
UN1600A6



UN1400A6



UN1850A6



* The data above were acquired by testing in YIZUMI, only for your reference. YIZUMI reserves the right of final interpretation upon disputes and ambiguities.

Standard and Optional Features of UN90-580A6

	Standard	Optional
Injection Unit		
Integrated injection unit with linear guides	●	
Balanced double injection cylinder	●	
Parallel electric plasticizing	●	
Bi-metallic screw component	●	
Energy-saving groove design of barrel (patented design)	●	
Multi-stage PID barrel temperature control (5-6 stage)	●	
Double carriage cylinder	●	
Precision transducer for plasticizing / injection stroke control	●	
Enclosed barrel heat-retaining guard	●	
Purge guard (with electrical protection)	●	
Screw speed detection	●	
Cold start protection	●	
Automatic purging	●	
Selectable suck-back before or after plasticizing	●	
6-stage injection speed / pressure / position control	●	
5-stage holding pressure speed / pressure / time control	●	
3-stage plasticizing speed / pressure / position control	●	
Movable hopper (90T-320T)	●	
Extended nozzle		○
Dedicated barrel and screw assembly (electroplating, PC, PMMA, PBT, etc.)		○
Barrel air-cooling device		○
Spring shut-off nozzle/hydraulic nozzle		○
Increased injection stroke or 1 stage larger (smaller) injection unit		○
Swiveling injection unit		○
Hydraulic plasticizing		○
Clamping Unit		
Precision transducer for clamping / ejector stroke control	●	
Clamping platens / toggles made of highly-rigid ductile iron QT500-7A	●	
Computer-controlled two-stage ejection forward/backward movement	●	
EUROMAP-based robot mounting holes	●	
Hydraulic mold height adjustment device	●	
Mechanical / electrical safety devices	●	
Wear-resistant manganese steel supporting tracks for movable platen	●	
Automatic centralized lubrication system	●	
Multiple ejector function settings	●	
Low-pressure mold protection	●	
Platen with T-slots and mounting holes	●	
Safety edges for machine gates	●	
Compulsory ejector-back function	●	
One-button automatic mold height adjustment	●	
Special mold mounting hole		○
Mold thermal insulation plate		○
Increased ejector force		○
Increased mold thickness		○
Magnetic platen		○
Mold lifting device		○
Mechanical safety protection device		○
Hydraulic System		
High-precision servo system (with energy recovery)	●	
High-precision real time bypass oil filter	●	
Automatic correction of system pressure and flow	●	
Proportional valve for mold opening and closing	●	
High-performance hydraulic valve	●	

	Standard	Optional
External cooler	●	
Numerical control proportional back pressure	●	
Cable hose restraint for exposed HP hydraulic hose	●	
Multi-channel cooling water devices with fast connectors	●	
Low-friction seal	●	
Automatic oil temperature detection and alarm	●	
Closed-loop oil temperature cooling control	●	
Core puller (one set standard for 90-260T, reserved one set for valve plate interface; two sets standard for 320-580T)	●	
Enlarged oil pump and motor (1-satge)		○
Enlarged plasticizing motor (multi-satge)		○
Synchronized ejection, core pulling system		○
Servo valve for injection		○
Additional sets of core puller		○
Hydraulic unscrewing device		○
Control System		
Barrel heater protection	●	
Input/output inspection	●	
Automatic heat retaining and automatic heating setting	●	
Time / position / time + position controlled switchover from injection to holding	●	
Separate adjustment of motion slope	●	
Automatic clamping force adjustment	●	
Process parameter locking	●	
700 sets of process parameters storage memory	●	
12" color LCD display	●	
Multiple operating languages	●	
Three-color alarm light	●	
Three sets of 3-phase power socket (2×32A+16A)	●	
Reserved interfaces for air blowers, cores, and ejector backward protection	●	
Emergency stop buttons for front and rear safety gates	●	
Intelligent injection weight control system	●	
Preventive monitoring and maintenance system for key components	●	
Intelligent mold opening	●	
Multi-curve display	●	
Synchronous injection valve open signal	●	
Display of overall energy consumption	●	
Hot runner interface		○
Pneumatic sequence valve		○
Interface for electric unscrewing interface		○
Air blowing with valve		○
Air-assisted injection device		○
Central (networked) monitoring system		○
Protective light grid of safety gates		○
Change of power supply voltage		○
General		
Operation manual	●	
Leveling pad	●	
Mold clamp	●	
A tool kit and a precision filter	●	
Stainless steel hopper		○
Auto loader		○
Glass-tube water flowmeter		○
Dryer		○
Dehumidifier		○
Mold temperature controller		○

Standard and Optional Features of UN650-1000A6

	Standard	Optional
Injection Unit		
Integrated injection unit with linear guides	●	
Balanced double injection cylinder	●	
Synchronized electric plasticizing	●	
Bi-metallic screw component	●	
Energy-saving groove design of barrel (patented design)	●	
Multi-stage PID barrel temperature control (5-6 stage)	●	
Double carriage cylinder	●	
Precision transducer for plasticizing / injection stroke control	●	
Enclosed barrel heat-retaining guard	●	
Purge guard (with electrical protection)	●	
Screw speed detection	●	
Cold start protection	●	
Automatic purging	●	
Selectable suck-back before or after plasticizing	●	
6-stage injection speed / pressure / position control	●	
5-stage holding pressure speed / pressure / time control	●	
3-stage plasticizing speed / pressure / position control	●	
Movable hopper		○
Extended nozzle		○
Dedicated barrel and screw assembly (electroplating, PC, PMMA, PBT, PA, etc.)		○
Barrel air-cooling device		○
Spring shut-off nozzle/hydraulic nozzle		○
Increased injection stroke or 1 stage larger (smaller) injection unit		○
Swiveling injection unit		○
Hydraulic plasticizing		○
Clamping Unit		
Precision transducer for clamping / ejector stroke control	●	
Clamping platens / toggles made of highly-rigid ductile iron QT500-7A	●	
Computer-controlled two-stage ejection forward/backward movement	●	
EUROMAP-based robot mounting holes	●	
Hydraulic mold height adjustment device	●	
Hydraulic / electrical safety devices	●	
Wear-resistant manganese steel supporting tracks for movable platen	●	
Automatic centralized lubrication system	●	
Multiple ejector function settings	●	
Low-pressure mold protection	●	
Platen with T-slots and mounting holes	●	
Safety edges for machine gates	●	
Compulsory ejector-back function	●	
Synchronized electric safety front door (1000T)	●	
One-button automatic mold height adjustment	●	
Special mold mounting hole		○
Mold thermal insulation plate		○
Increased ejector force		○
Increased mold thickness		○
Magnetic platen		○
Mold lifting device		○
Mechanical safety protection device		○
Hydraulic System		
High-precision servo system (with energy recovery)	●	
High-precision real time bypass oil filter	●	
Automatic correction of system pressure and flow	●	
Proportional valve for mold opening and closing	●	

	Standard	Optional
High-performance hydraulic valve	●	
External cooler	●	
Numerical control proportional back pressure	●	
Cable hose restraint for exposed HP hydraulic hose	●	
Multi-channel cooling water devices with fast connectors	●	
Low-friction seal	●	
Automatic oil temperature detection and alarm	●	
Closed-loop oil temperature cooling control	●	
Core puller (two sets standard for 650-1000T, reserved two sets for valve plate interface)	●	
Enlarged oil pump and motor (1-satge)		○
Enlarged plasticizing motor (multi-satge)		○
Synchronized ejection, core pulling system		○
Servo valve for injection		○
Additional sets of core puller		○
Hydraulic unscrewing device		○
Control System		
Barrel heating protection	●	
Input/output inspection	●	
Automatic heat retaining and automatic heating setting	●	
Time / position / time + position controlled switchover from injection to holding	●	
Separate adjustment of motion slope	●	
Automatic clamping force adjustment	●	
Process parameter locking	●	
700 sets of process parameters storage memory	●	
12" color LCD display	●	
Multiple operating languages	●	
Three-color alarm light	●	
Three sets of 3-phase power socket (2×32A+16A)	●	
Reserved interfaces for air blowers, cores, and ejector backward protection	●	
Emergency stop buttons for front and rear safety gates	●	
Intelligent injection weight control system	●	
Preventive monitoring and maintenance system for key components	●	
Intelligent mold opening	●	
Multi-curve display	●	
Synchronous injection valve open signal	●	
Display of overall energy consumption	●	
Hot runner interface		○
Pneumatic sequence valve		○
Interface for electric unscrewing interface		○
Air blowing with valve		○
Air-assisted injection device		○
Central (networked) monitoring system		○
Protective light grid of safety gates		○
Change of power supply voltage		○
General		
Operation manual	●	
Leveling pad	●	
Mold clamp	●	
A tool kit and a precision filter	●	
Stainless steel hopper		○
Auto loader		○
Glass-tube water flowmeter		○
Dryer		○
Dehumidifier		○
Mold temperature controller		○

* The data above were acquired by testing in YIZUMI, only for your reference. YIZUMI reserves the right of final interpretation upon disputes and ambiguities.

Standard and Optional Features of UN1200-1850A6

	Standard	Optional
Injection Unit		
Integrated injection unit with linear guides	●	
Balanced double injection cylinder	●	
Low-speed high-torque reinforced hydraulic motor	●	
Bi-metallic screw component	●	
Energy-saving groove design of barrel (patented design)	●	
Multi-stage PID barrel temperature control (5-6 stage)	●	
Double-carriage cylinder	●	
Precision transducer for plasticizing/ injection stroke control	●	
Enclosed barrel heat-retaining guard	●	
Nozzle purge guard (with electrical protection)	●	
Screw speed detection	●	
Cold start protection for screw	●	
Automatic purging	●	
Selectable suck-back before or after plasticizing	●	
6-stage injection control (speed, pressure, position)	●	
5-stage holding pressure control (speed, pressure, time)	●	
3-stage plasticizing control (speed, pressure, position)	●	
Movable hopper		○
Extended nozzle		○
Dedicated barrel and screw assembly (electroplating, PC, PMMA, PBT etc.)		○
Barrel air-cooling device		○
Spring shut-off nozzle/hydraulic nozzle		○
Increased injection stroke or 1 stage larger (smaller) injection unit		○
Swiveling injection unit		○
Hydraulic plasticizing		○
Clamping Unit		
Precision transducer for clamping / ejector stroke control	●	
Clamping platens / toggles made of highly-rigid ductile iron QT500-7A	●	
Computer-controlled two-stage ejection forward/backward movement	●	
EUROMAP-based robot mounting holes	●	
Hydraulic mold height adjustment device	●	
Mechanical / electrical/ hydraulic safety devices	●	
Wear-resistant manganese steel supporting tracks for movable platen	●	
Automatic centralized lubrication system	●	
Multiple ejector function settings	●	
Low-pressure mold protection	●	
Platen with T-slots and mounting holes	●	
Safety edges for machine gates	●	
Compulsory ejector-back function	●	
Synchronized electric safety front door	●	
One-button automatic mold height adjustment	●	
Special mold mounting hole		○
Mold thermal insulation plate		○
Increased ejector force		○
Increased mold thickness		○
Magnetic platen		○
Mold lifting device		○
Mechanical safety protection device		○
Hydraulic System		
High-precision servo system (with energy recovery)	●	
High-precision real time bypass oil filter	●	
Automatic correction of system pressure and flow	●	
Proportional valve for mold opening and closing	●	
High-performance hydraulic valve	●	

	Standard	Optional
External cooler	●	
Numerical control proportional back pressure	●	
Cable hose restraint for exposed HP hydraulic hose	●	
Multi-channel cooling water devices with fast connectors	●	
Low-friction seal	●	
Automatic oil temperature detection and alarm	●	
Closed-loop oil temperature cooling control	●	
Core puller (three sets standard for 1200-1850T, reserved three sets for valve plate interface)	●	
Enlarged oil pump and motor (1-satge)		○
Enlarged plasticizing motor (multi-satge)		○
Synchronized ejection, core pulling system		○
Servo valve for injection		○
Additional sets of core puller		○
Hydraulic unscrewing device		○
Control System		
Barrel heater protection	●	
Input/output inspection	●	
Automatic heat retaining and automatic heating setting	●	
Time / position / time + position controlled switchover from injection to holding	●	
Separate adjustment of motion slope	●	
Automatic clamping force adjustment	●	
Process parameter locking	●	
Storage space for 700 sets of process parameters, USB port for expandable storage	●	
15" TFT true color display	●	
Multiple operating languages	●	
Three-color alarm light	●	
Three sets of 3-phase power socket (2×32A+16A) (for UN1200T)	●	
Four sets of 3-phase power socket (3×32A+16A) (for UN1400-1850T)	●	
Reserved interfaces for air blowers, cores, and ejector backward protection	●	
Emergency stop buttons for front and rear safety gates	●	
Intelligent injection weight control system	●	
Preventive monitoring and maintenance system for key components	●	
Intelligent mold opening	●	
Multi-curve display	●	
Hot runner interface	●	
Synchronous injection valve open signal	●	
Display of overall energy consumption	●	
Pneumatic sequence valve		○
Interface for electric unscrewing interface		○
Air blowing with valve		○
Air-assisted injection device		○
Central (networked) monitoring system		○
Protective light grid of safety gates		○
Change of power supply voltage		○
General		
Operation manual	●	
Leveling pad	●	
Mold clamp	●	
A tool kit and a precision filter	●	
Stainless steel hopper		○
Auto loader		○
Glass-tube water flowmeter		○
Dryer		○
Dehumidifier		○
Mold temperature controller		○

YIZUUN

THINK
TECH FORWARD